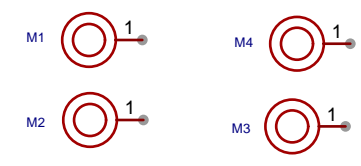
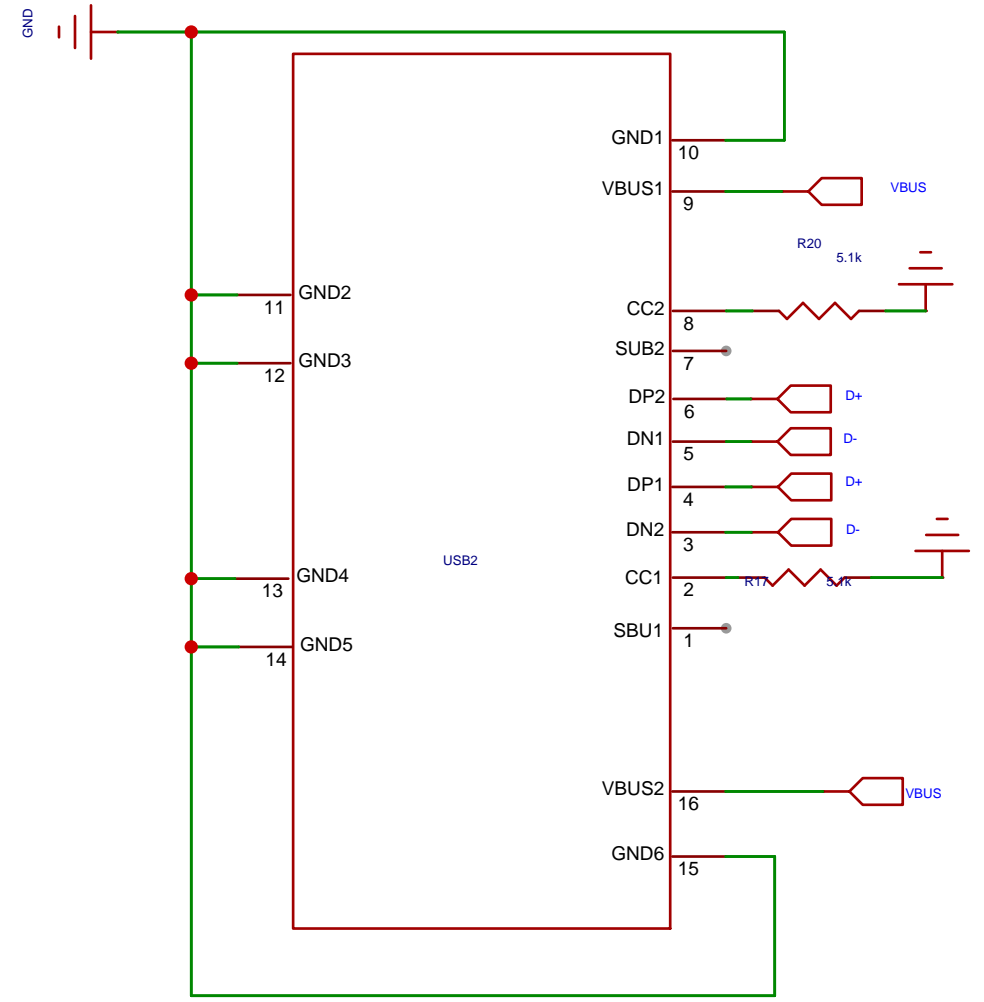
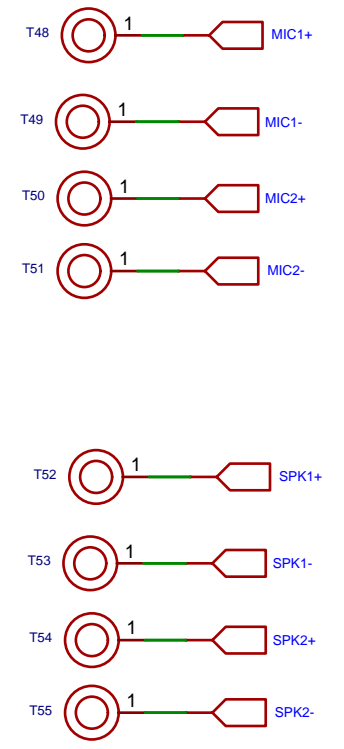
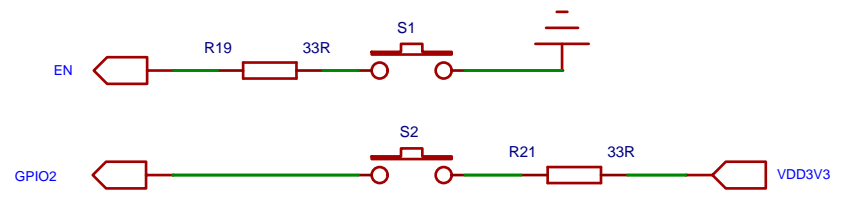
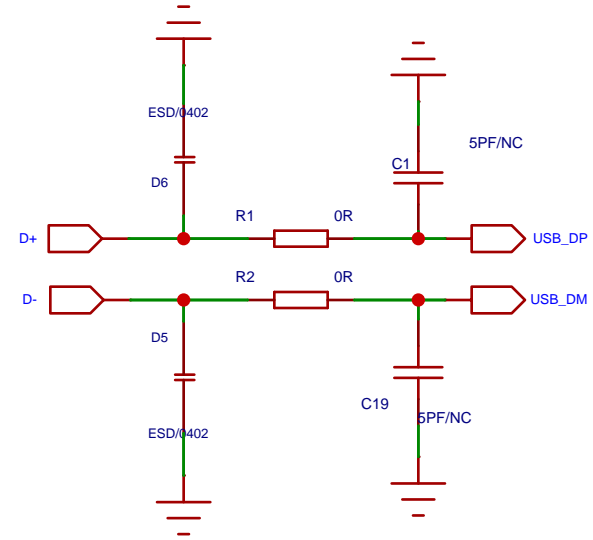
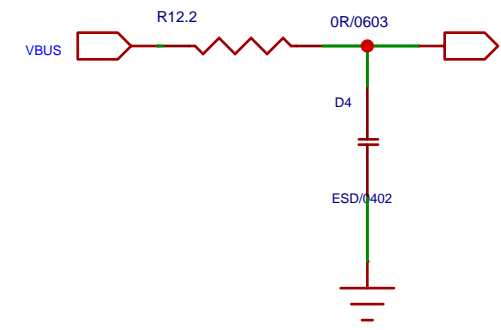
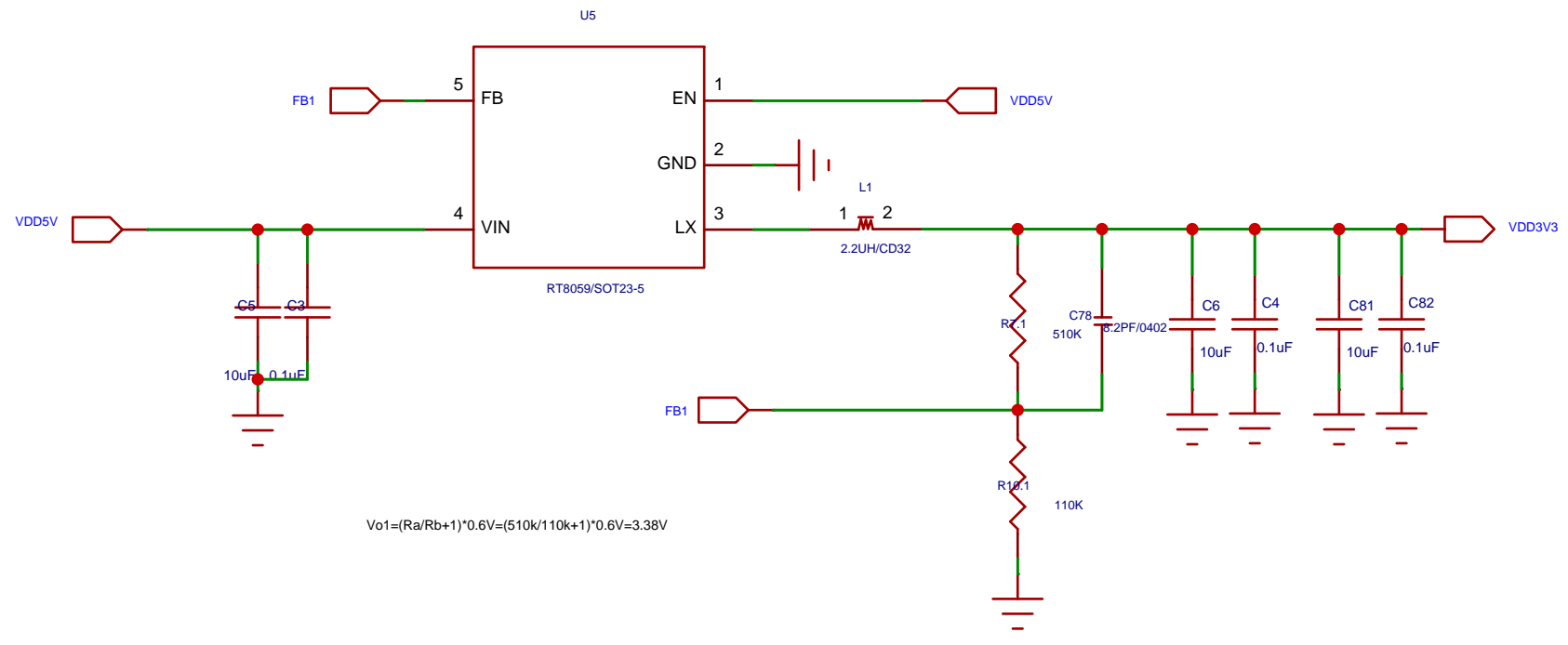
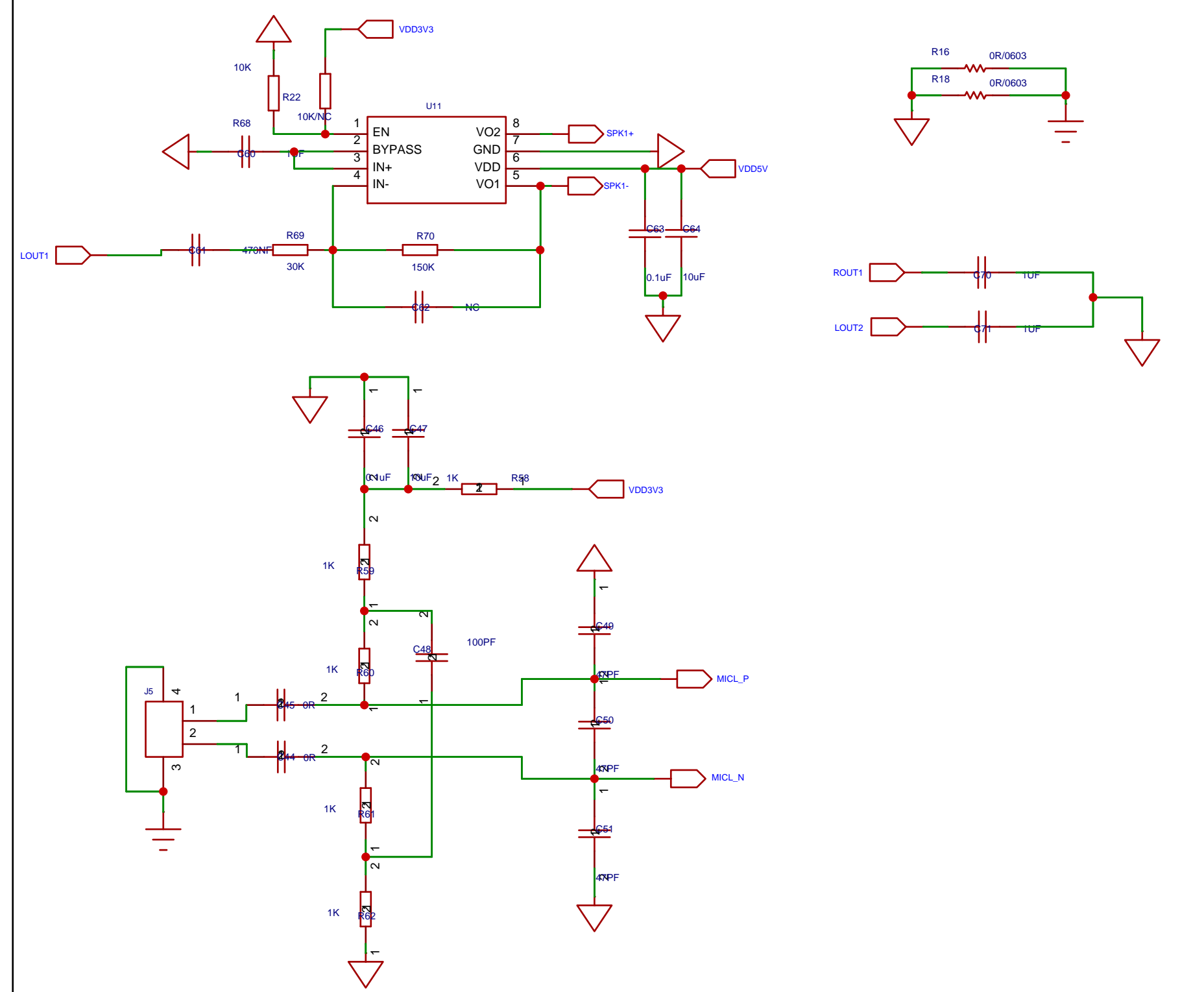
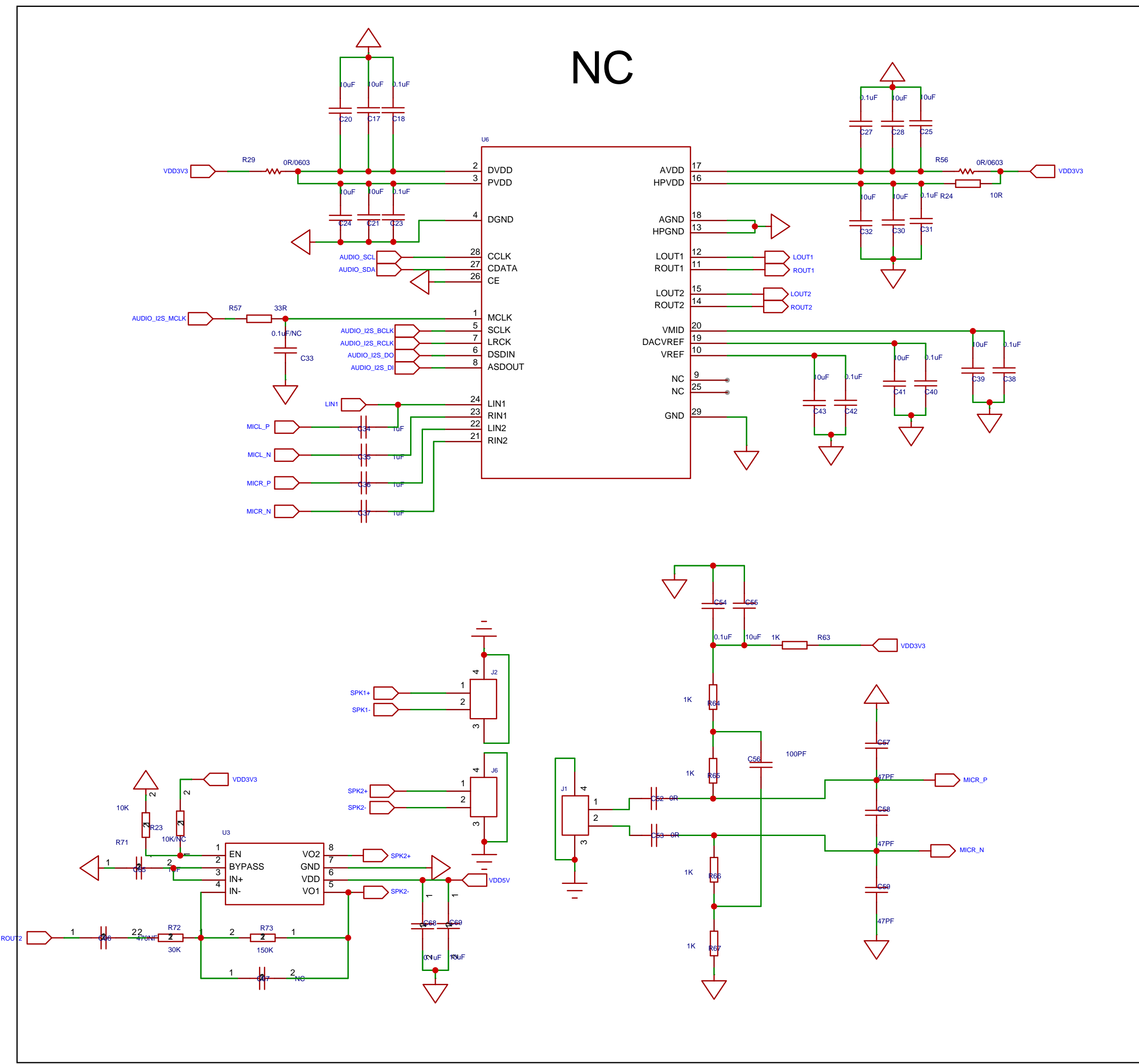


Schematic	_AiPi-Voice			Update Date	2023-07-10
				Create Date	2023-07-10
Page	MAIN			Part Number	
Drawn	AiPi-Voice				
Reviewed					
	VER	SIZE	PAGE	1	OF 3
嘉立创EDA		V1.0	A4	嘉立创EDA	

POWER



Schematic	_AiPi-Voice			Update Date	2023-07-11
				Create Date	2023-07-10
Page	POWER			Part Number	
Drawn	AiPi-Voice				
Reviewed					
	VER	SIZE	PAGE	2	OF 3
嘉立创EDA		V1.0	A4	嘉立创EDA	



Schematic	_AiPi-Voice	Update Date	2023-07-11		
		Create Date	2023-07-10		
Page	AUDIO	Part Number			
Drawn		AiPi-Voice			
Reviewed					
		VER	SIZE	PAGE	3 OF 3
嘉立创EDA		V1.0	A3	嘉立创EDA	