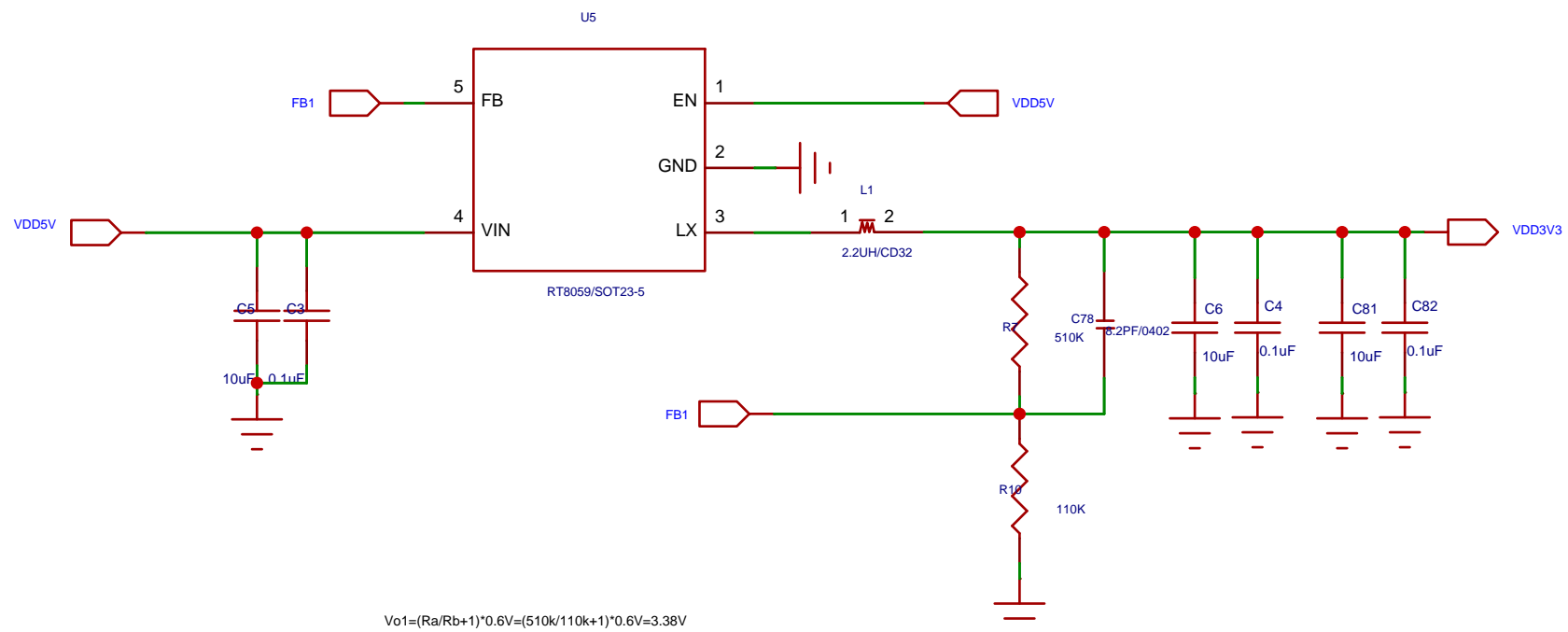
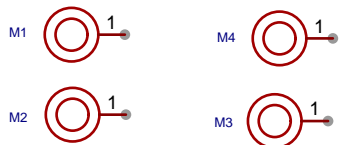
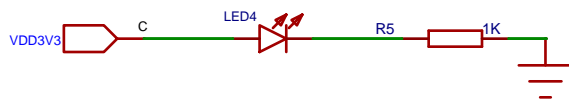


POWER

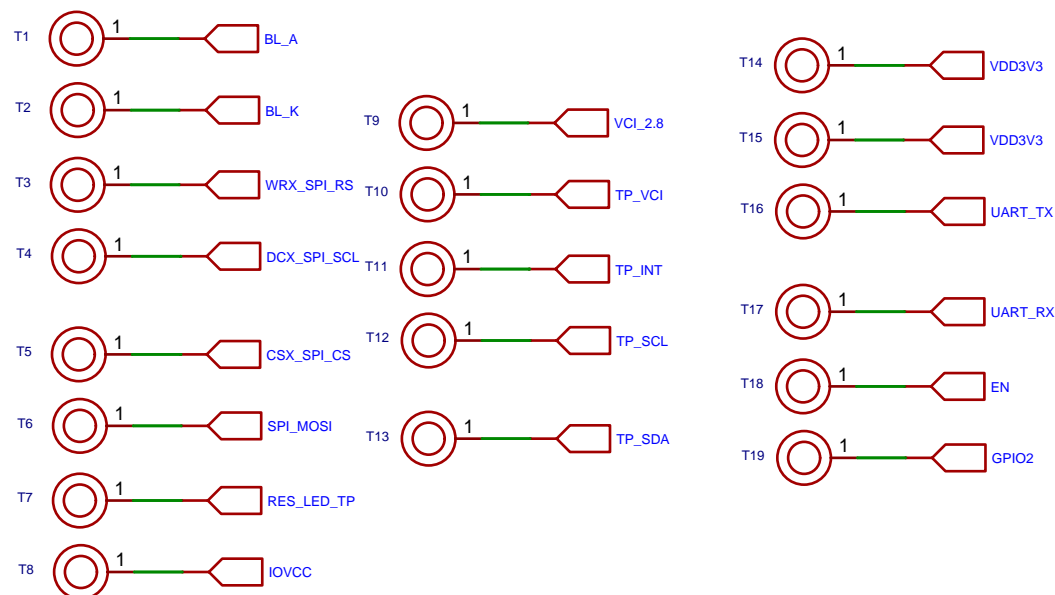
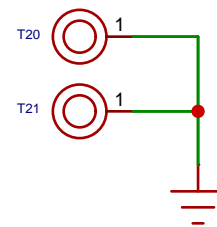
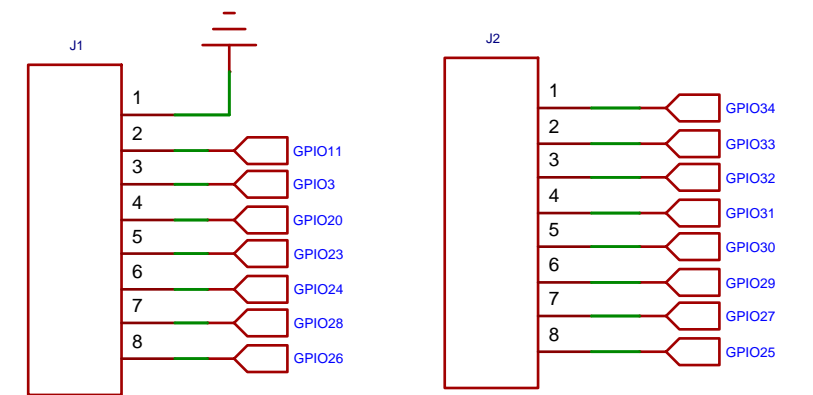
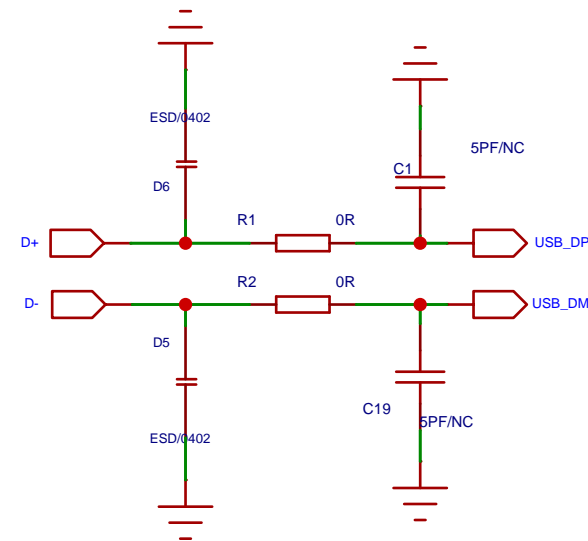
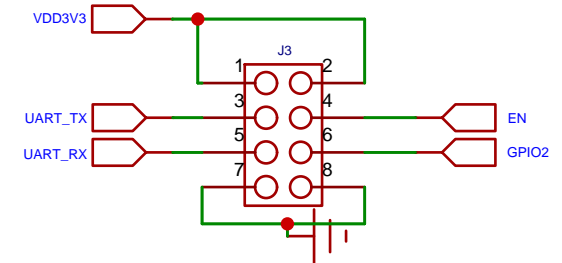
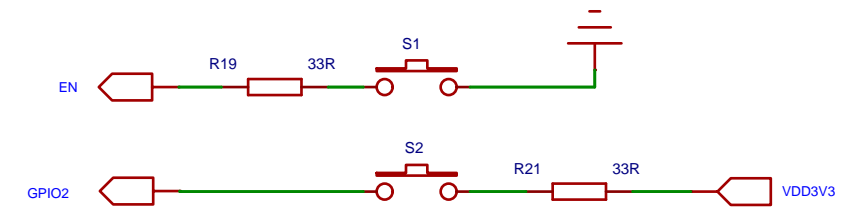
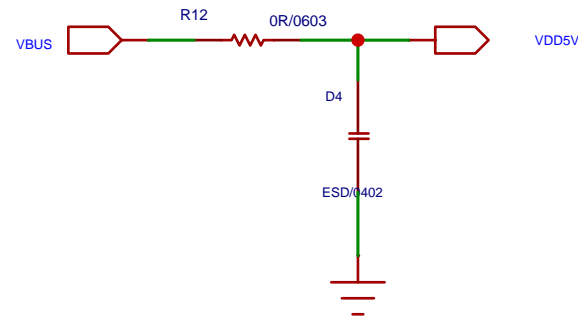
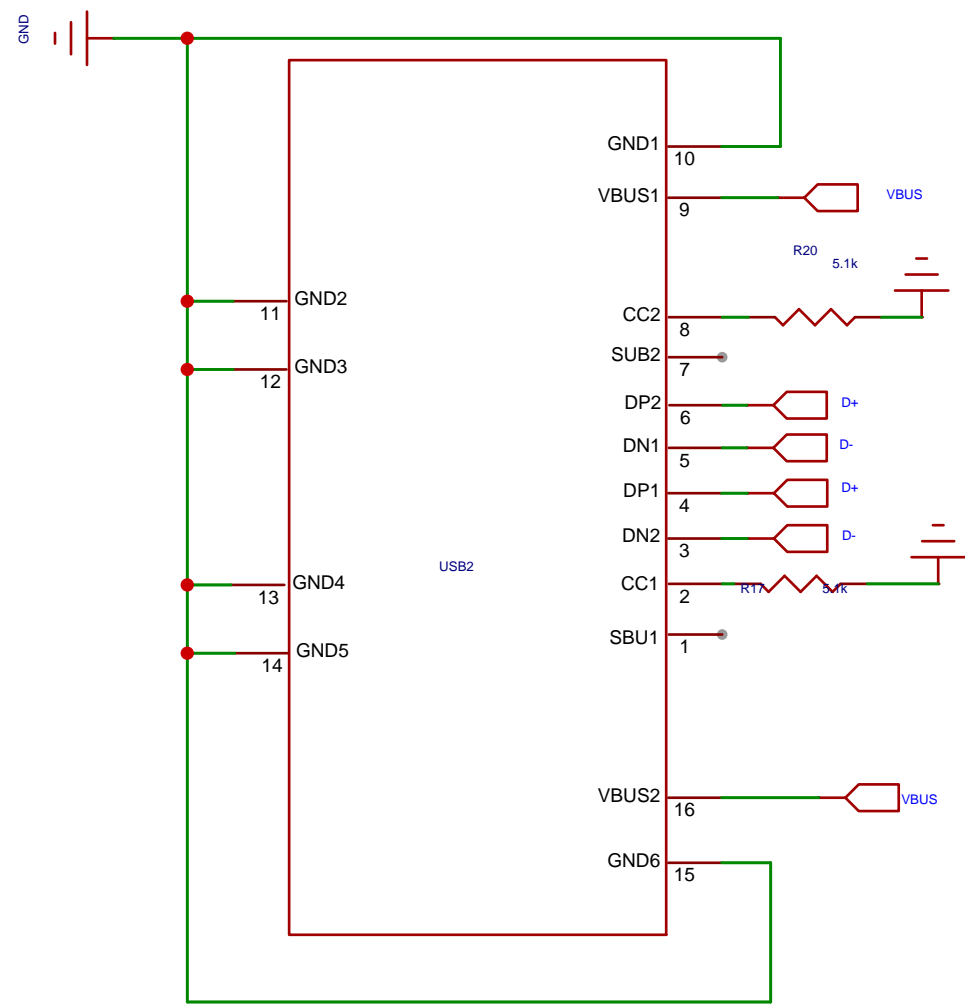


$$Vo1 = (Ra/Rb + 1) * 0.6V = (510k/110k + 1) * 0.6V = 3.38V$$

LED



Schematic	_AiPi-DSL			Update Date	2023-07-01
				Create Date	2023-07-01
Page	POWER			Part Number	
Drawn	AiPi-DSL				
Reviewed					
	VER	SIZE	PAGE	2	OF 3
嘉立创EDA		V1.0	A4	嘉立创EDA	



Schematic	_AiPi-DSL			Update Date	2023-07-01
				Create Date	2023-07-01
Page	USB			Part Number	
Drawn	AiPi-DSL				
Reviewed					
	VER	SIZE	PAGE	3	OF 3
嘉立创EDA		V1.0	A4	嘉立创EDA	