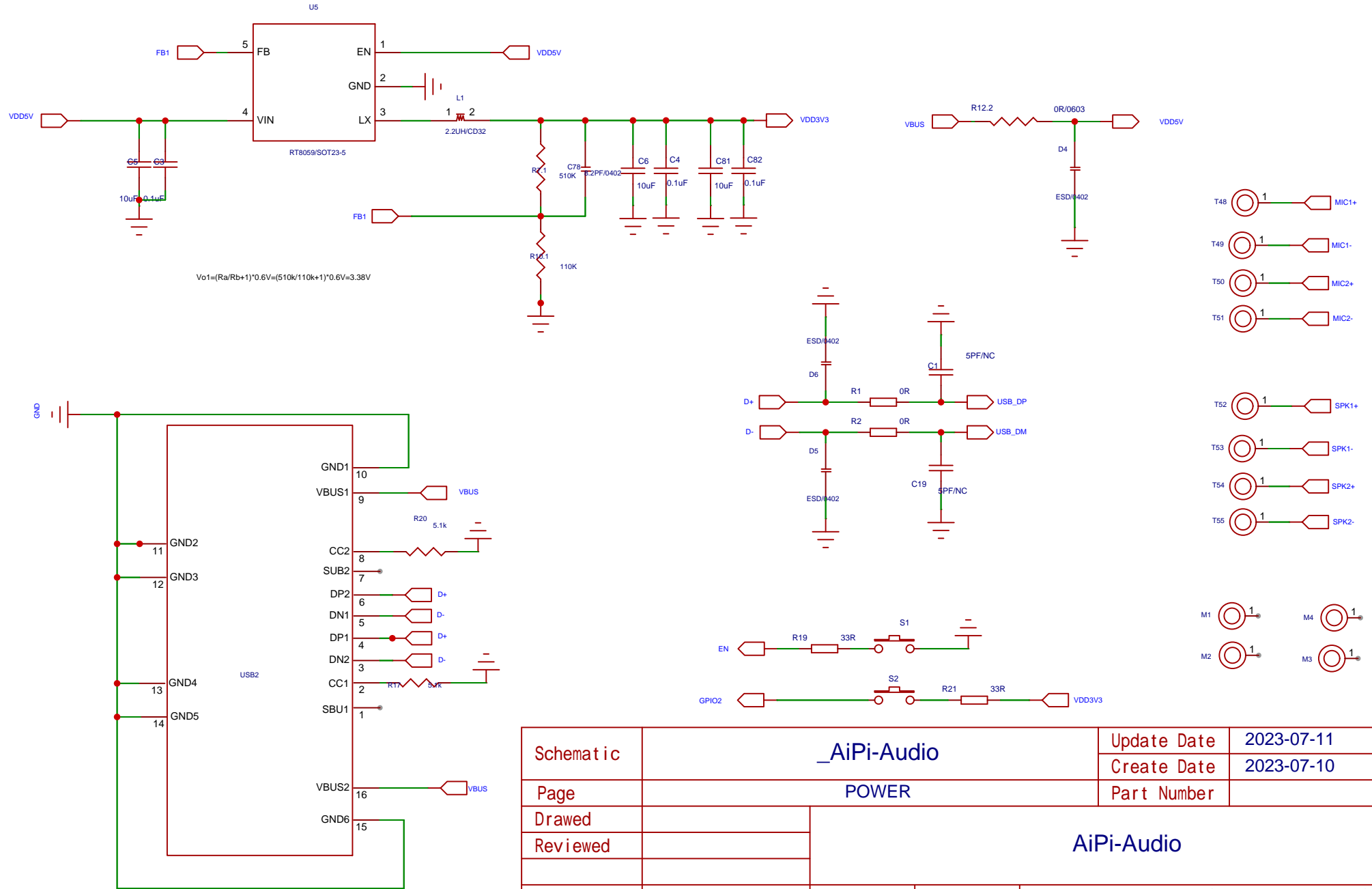


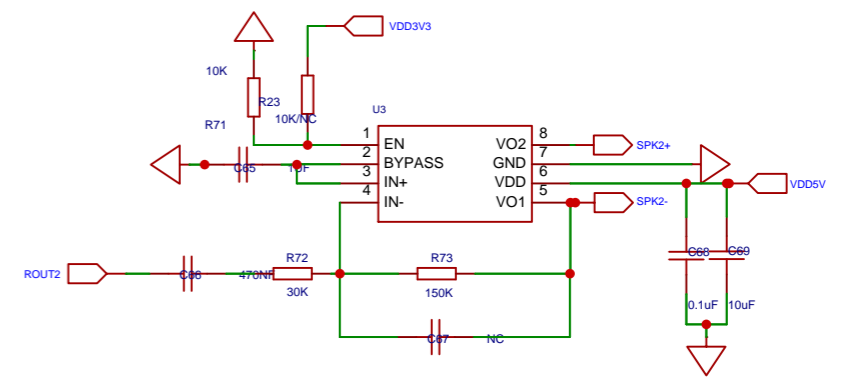
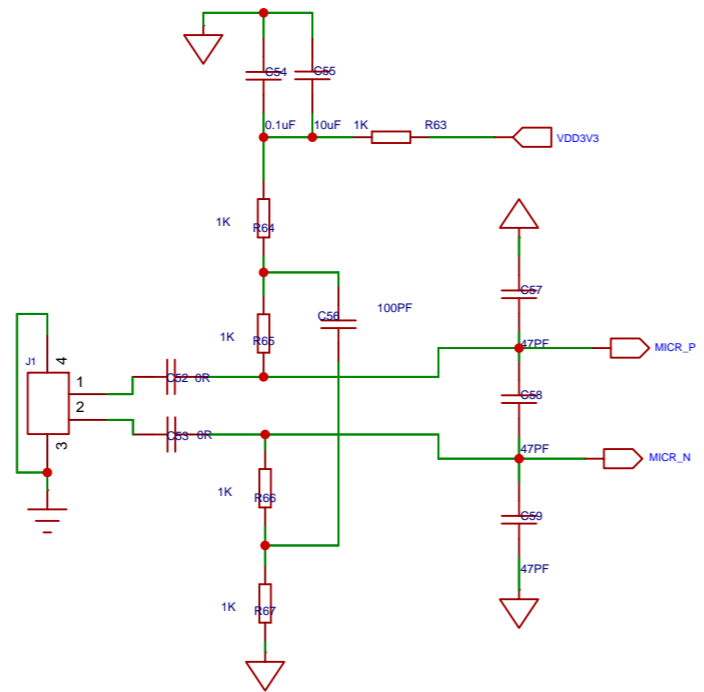
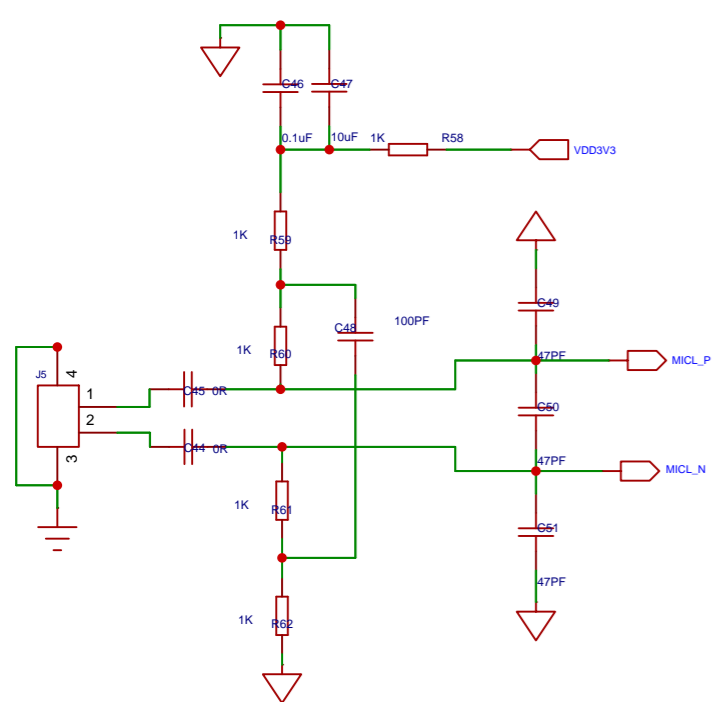
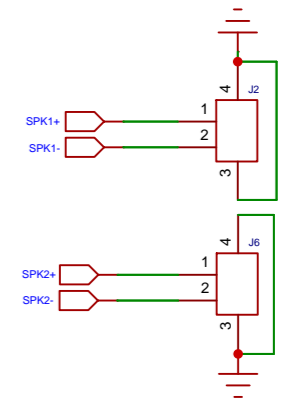
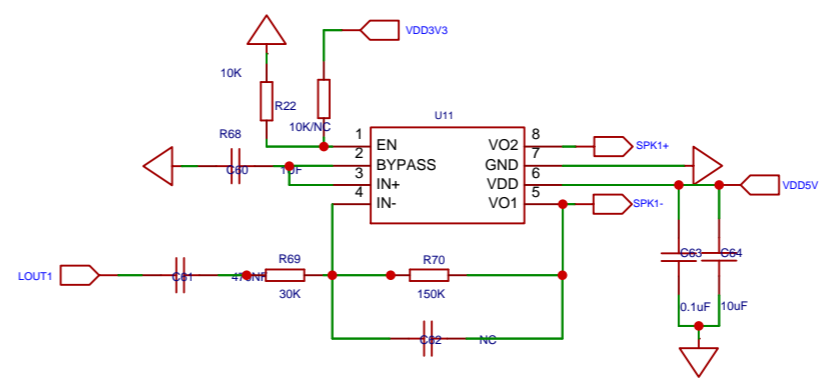
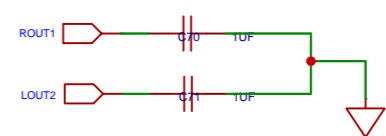
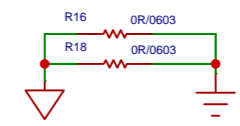
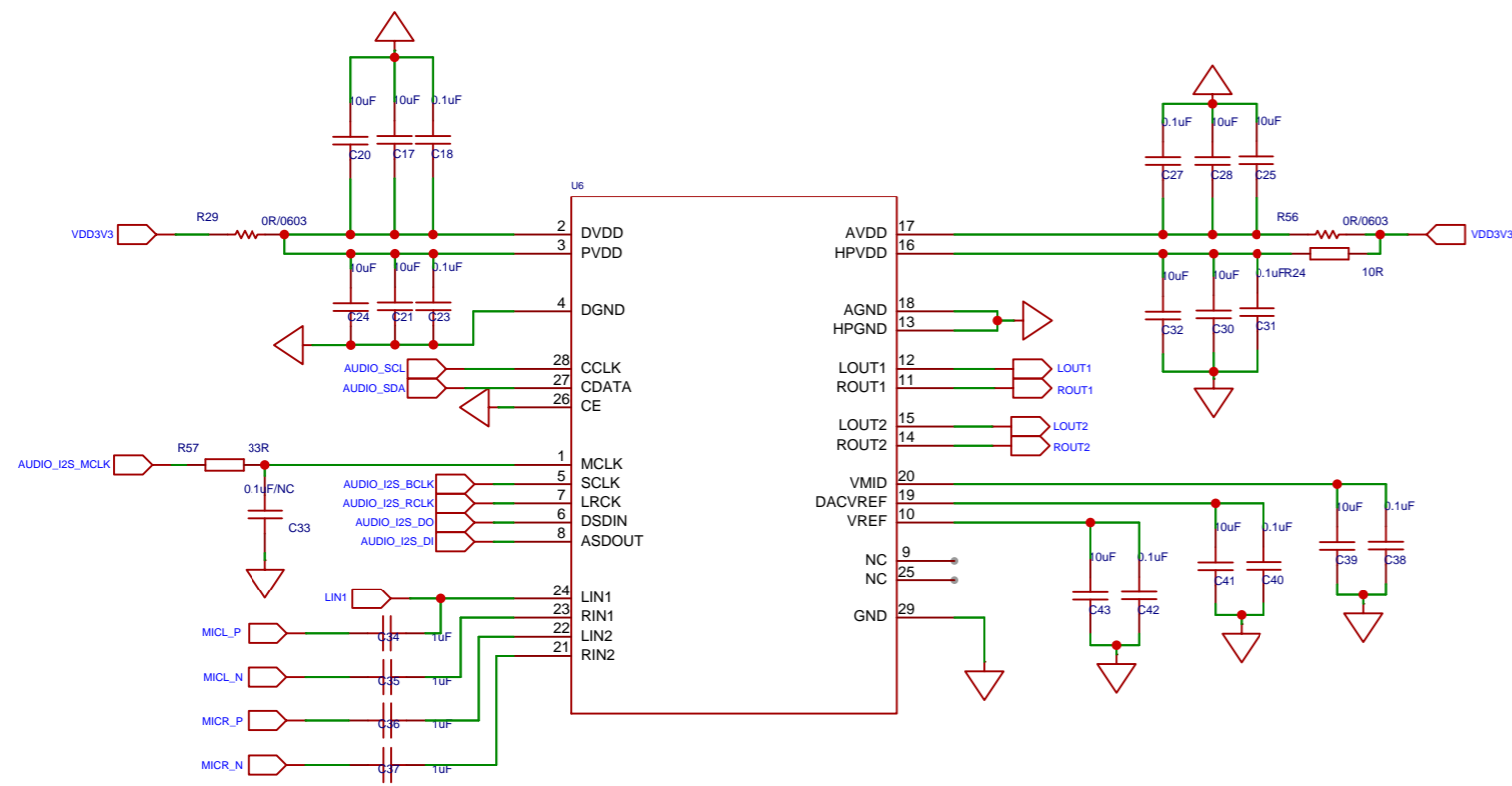
Schematic	_AiPi-Audio		Update Date	2023-07-10	
			Create Date	2023-07-10	
Page	MAIN		Part Number		
Drawn	AiPi-Audio				
Reviewed					
			VER	SIZE	PAGE 1 OF 3
			V1.0	A4	嘉立创EDA

POWER



Schematic	_AiPi-Audio			Update Date	2023-07-11
				Create Date	2023-07-10
Page	POWER			Part Number	
Drawn	AiPi-Audio				
Reviewed					
		VER	SIZE	PAGE	2 OF 3
		V1.0	A4	嘉立创EDA	





Schematic	_AiPi-Audio	Update Date	2023-07-11		
		Create Date	2023-07-10		
Page	AUDIO	Part Number			
Drawn	AiPi-Audio				
Reviewed					
		VER	SIZE	PAGE	3 OF 3
嘉立创EDA		V1.0	A3	嘉立创EDA	