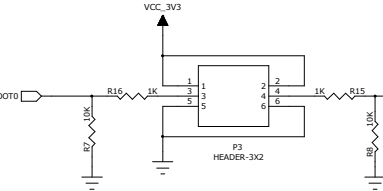
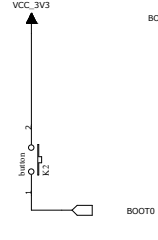
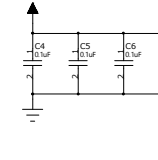
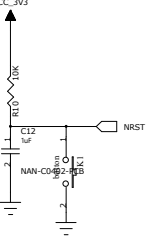
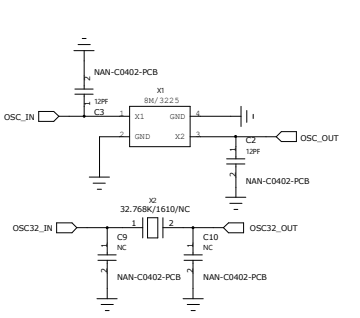
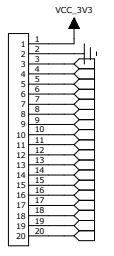
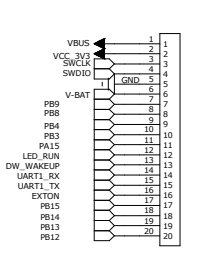
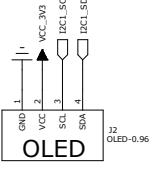
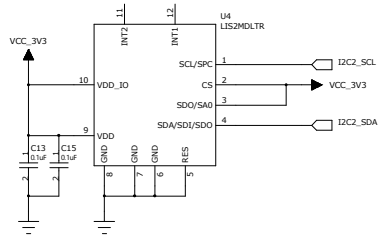
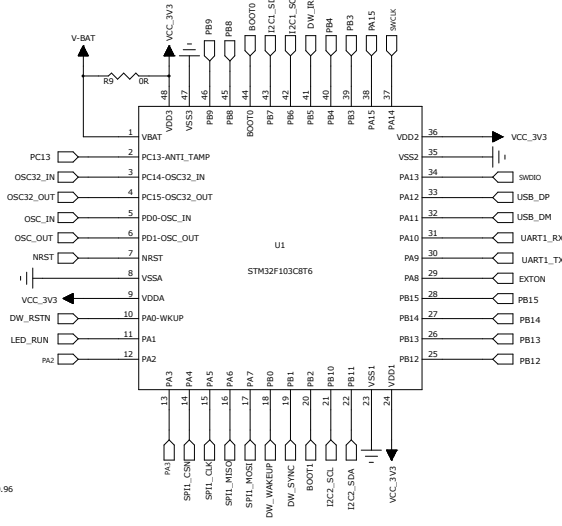
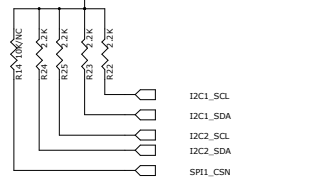
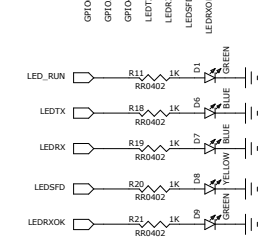
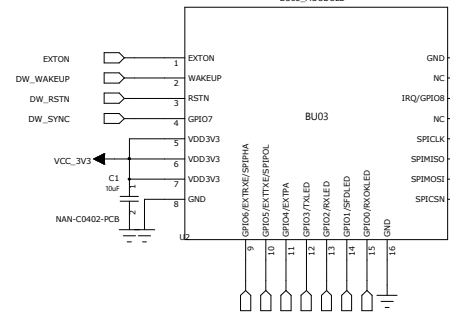
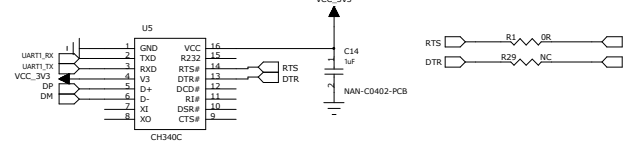
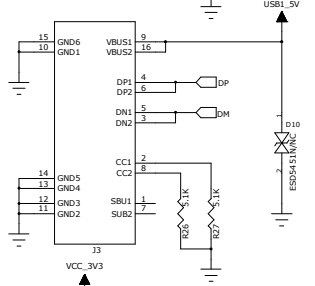
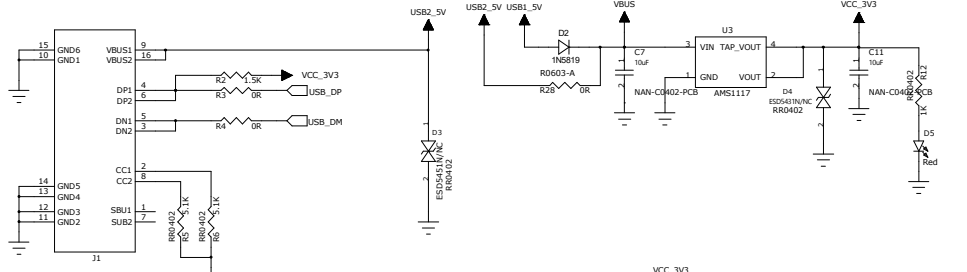


REVISION RECORD			
LTR	ECO NO:	APPROVED:	DATE:



COMPANY:			
TITLE: BU03-Kit			
CODE:	SIZE: C	DRAWING NO:	REV: 1.1
SCALE:	SHEET: 1		1

DRAWN:	DATED:
CHECKED:	DATED:
QUALITY CONTROL:	DATED:
RELEASED:	DATED: