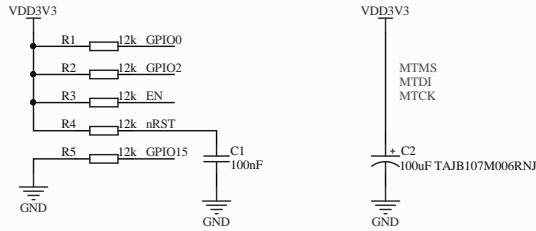
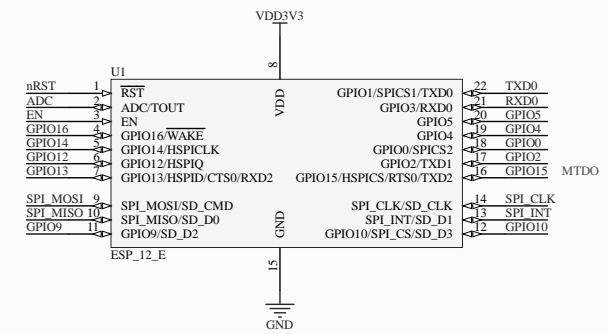


ESP12封装



MATTERS NEEDING ATTENTION
 On every boot/reset/wakeup,
 GPIO15 MUST keep LOW, GPIO2 MUST keep HIGH.
 GPIO0 HIGH -> RUN MODE, LOW -> FLASH MODE.
 When you need to use the sleep mode, GPIO16 and RST should be connected,
 and GPIO16 will output LOW to reset the system at the time of wakeup.

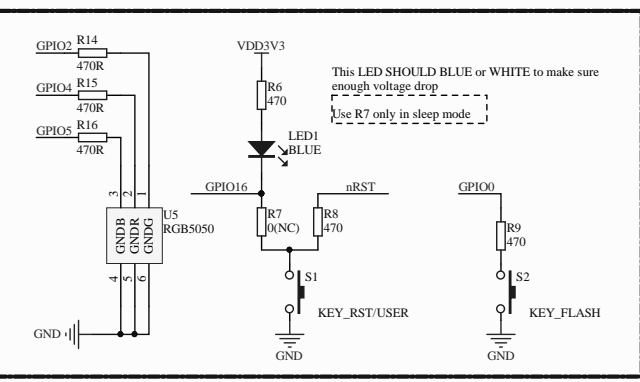


边框封装

J1		J2	
ADC_EX	A0 1	PIN1	1 D0 GPIO16
ADC	2	PIN2	2 D1 GPIO5
RESV	3	PIN3	3 D2 GPIO4
SD_D3	GPIO10 D13,4	PIN4	4 D3 GPIO0
SD_D2	GPIO9 D11,5	PIN5	5 D4 GPIO2 TXD1
SD_D1	SPI_INT 6	PIN6	6 VDD3V3
SD_CMD	SPI_MOSI 7	PIN7	7 GND
SD_D0	SPI_MISO 8	PIN8	8 D5 GPIO14 HSPICLK
SD_CLK	SPI_CLK 9	PIN9	9 D6 GPIO12 HSPICQ
GND	10	PIN10	10 D7 GPIO13 RXD2 HSPID
VDD3V3	11	PIN11	11 D8 GPIO15 TXD2 HSPICS
EN	12	PIN12	12 D9 RXD0 GPIO3
nRST	13	PIN13	13 D10 TXD0 GPIO1
GND	14	PIN14	14 GND
VDD5V	15	PIN15	15 VDD3V3

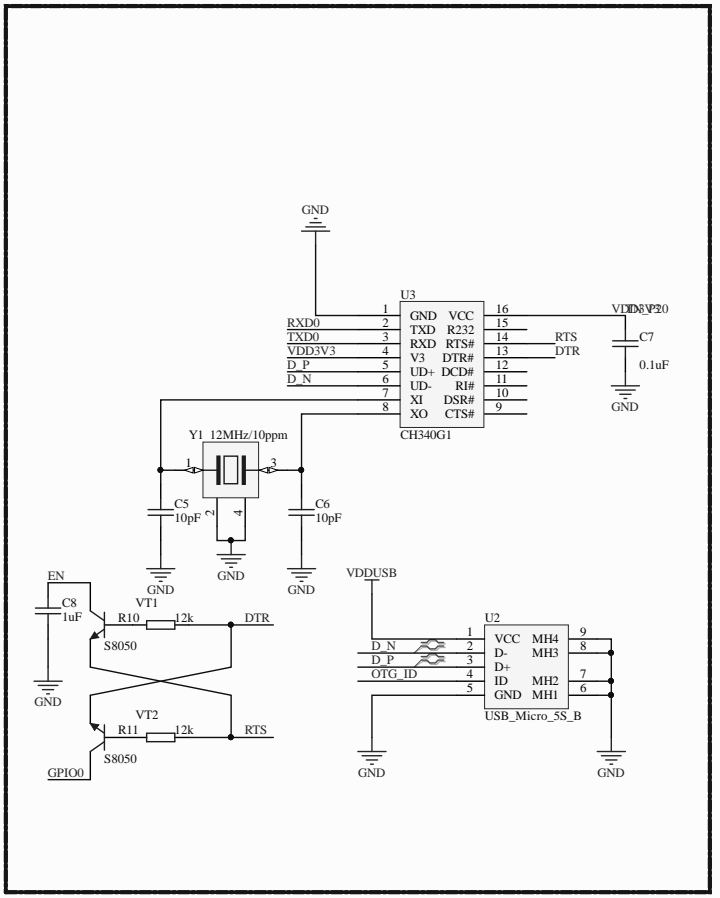
THT_Male_P_1x15 THT_Male_P_1x15

KEY/LED

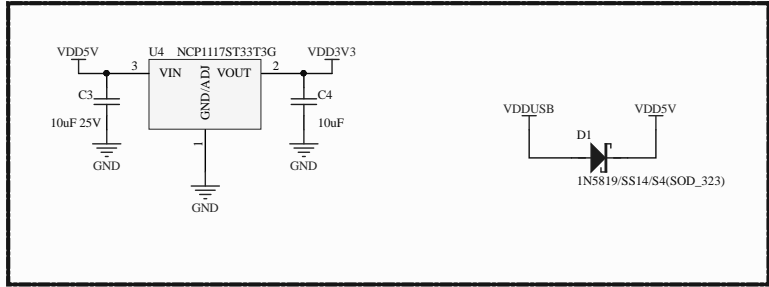


This LED SHOULD BLUE or WHITE to make sure enough voltage drop
 Use R7 only in sleep mode

USB TO UART

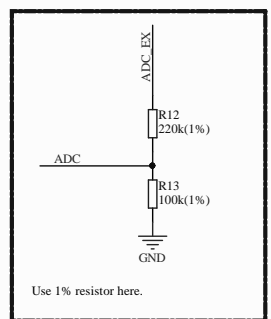


POWER



Working Output: 3.3V 800mA
 Working Current Limit: 1000mA
 Max Current: 1000mA
 Max Supply Voltage: 20V
 Voltage Dropout: 1.2V@800mA

ADC



Use 1% resistor here.

NodeMCU-8266
V1.2
2020/1/2
Ai-Thinker
www.ai-thinker.com