



# BU04-Kit Specification

Version V1.1.0

Copyright ©2024

## Document resume

Version	Date	Develop/revise content	Edition	Approve
V1.1.0	2024.08.14	First Edition	XiaoCheng Li	Hong Xu

## Content

1. Product Overview .....	4
1.1. Characteristic .....	5
2. Main parameters .....	6
2.1. Static electricity requirements .....	6
2.2. Electrical characteristics .....	7
2.3. RF Parameter .....	7
2.4. Power Consumption .....	7
3. Appearance dimensions .....	8
4. Button and indicator description .....	9
5. Pin definition .....	10
6. Schematic .....	13
7. Product packaging information .....	14
8. Contact us .....	14
Disclaimer and copyright notice .....	15
Notice .....	15
Important Statement .....	16

# 1. Product Overview

BU04-Kit is a dual-antenna ultra-wideband development board designed by Ai-Thinker Co., Ltd based on BU04 module. The BU04 module on the board integrates the DW3000+STM32F103 MCU and supports dual onboard antennas or dual IPEX external antennas. BU04 can be used in bidirectional ranging, TDOA or PDOA positioning system, positioning accuracy up to 10 cm, and support up to 6.8 Mbps data rate, can be widely used in precision positioning, coal mine positioning, hospital personnel positioning, storage positioning, a variety of indoor positioning and other fields.

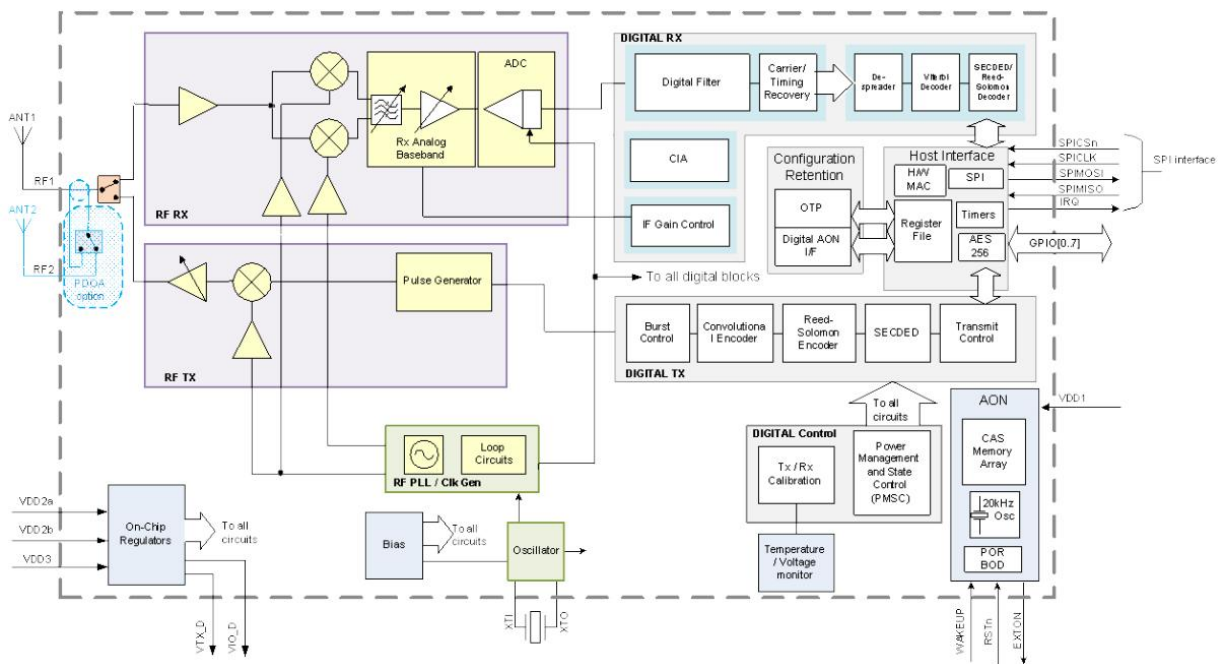


Figure 1 Main chip architecture diagram

## 1.1. Characteristic

- DIP-40 package
- Complies with the IEEE 802.15.4-2015 UWB standard
- Conforms to IEEE802.15.4z (BPRF mode)
- Supports dual antenna channels
- Channel 5 and channel 9 are supported
- Easy integration without RF secondary design
- Support for onboard antenna, compatible with IPEX external antenna
- Integrated MAC function
- The use of RTLS infrastructure extends the range of communication
- Data rate supports 850 Kbps and 6.8 Mbps
- Supports two-way ranging and TDOA and PDOA positioning schemes
- Provides accurate positioning and data transfer
- Positioning accuracy 10 cm
- Supports high label density
- Integrated HW AES 256
- Supports the SPI interface
- 20 GPIO available
- Integrated STM32F103 MCU
- Programmable adjustment of the transmit power
- Power supply can be external Type-C, and pin 3.3 or 5V power supply

## 2. Main parameters

**Table 1 Description of the main parameters**

<b>Model</b>	BU04-Kit
<b>Package</b>	SMD-40
<b>Size</b>	46.00*52.00(±0.2)mm
<b>Antenna</b>	On-board PCB antenna, compatible with IPEX
<b>Center frequency</b>	CH5(6489.5MHz)、CH9(7987.2MHz)
<b>Operating temperature</b>	-40°C~ 85°C
<b>Storage temperature</b>	-40°C~ 125°C, < 90%RH
<b>Power supply</b>	Power supply voltage USB Type-C or pin 3.3 or 5V power supply. Power supply current ≥500mA
<b>Interface</b>	SPI/UART/I2C
<b>IO</b>	20
<b>Built-in MCU</b>	STM32F103

### 2.1. Static electricity requirements

BU04-Kit is an electrostatic sensitive device, and special precautions must be taken when handling it.



**Figure 2 ESD anti-static diagram**

## 2.2. Electrical characteristics

**Table 2 Electrical characteristics table**

Parameter	Name	Min.	Typical value	Max.	Unit
Supply voltage	VDD1	1.7	3.3	3.6	V
Supply voltage	3V3	2.5	3.3	3.6	V
I/O	VIL	-	-	0.3*3V3	V
	VIH	-	0.7*3V3	-	V
	VOL	-	-	0.1*3V3	V
	VOH	-	-	0.9*3V3	V
	IMAX	-	-	-	10

## 2.3. RF Parameter

**Table 3 UWB RF parameters**

Description	Typical value	Unit
CH5 center frequency	6489.6	MHz
CH9 center frequency	7987.2	MHz
Channel bandwidth	499.2	MHz

## 2.4. Power Consumption

The following power consumption data is based on a 3.3V power supply and an ambient temperature of 25° C.

**Table 4 Power consumption table**

Mode	Min.	Typical	Max.	Unit
CH5 transmitting at 0.85Mbps	-	45.39	-	mA
CH5 transmitting at 6.81Mbps	-	43.19	-	mA
CH9 transmitting at 0.85Mbps	-	53.18	-	mA
CH9 transmitting at 6.81Mbps	-	51.16	-	mA
CH5 receives at 0.85Mbps	-	50.83	-	mA
CH5 receives at 6.81Mbps	-	51.19	-	mA
CH9 receives at 0.85Mbps	-	79.28	-	mA
CH9 receives at 6.81Mbps	-	79	-	mA

### 3. Appearance dimensions

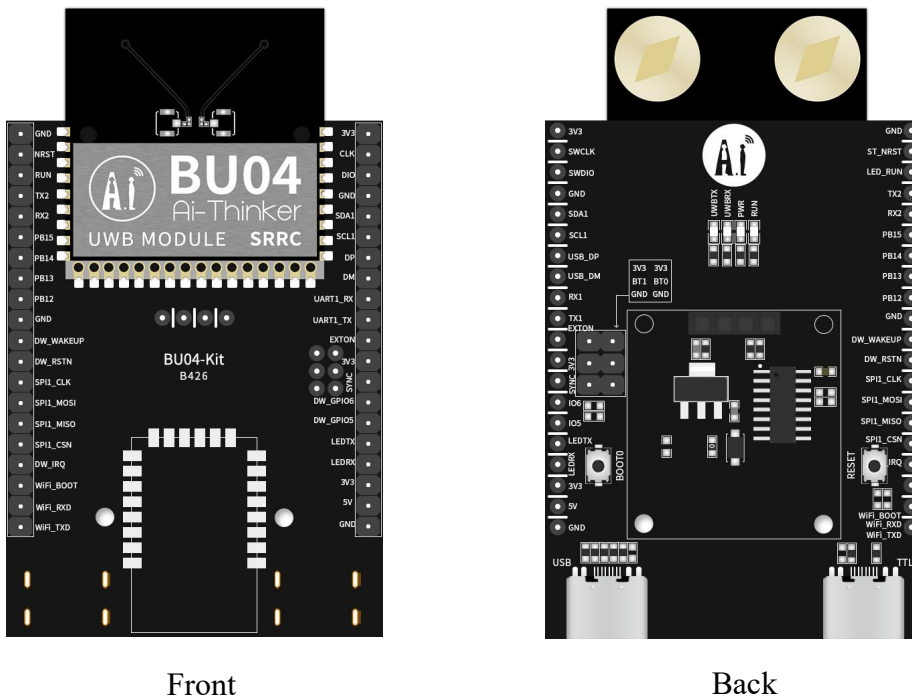


Figure 3 Appearance of the module (the rendering is for reference only, the actual object shall prevail)

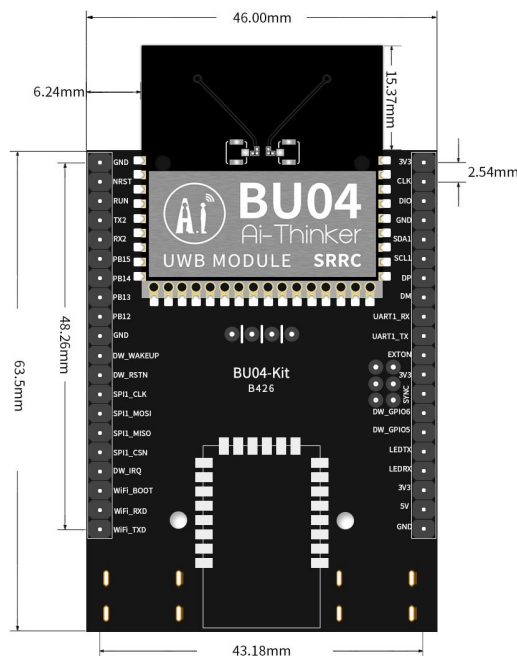


Figure 4 Module size diagram



## 4. Button and indicator description

A total of 40 pin pins are connected to the BU04-Kit development board. As shown in the diagram, the pin function definition table is the interface definition.

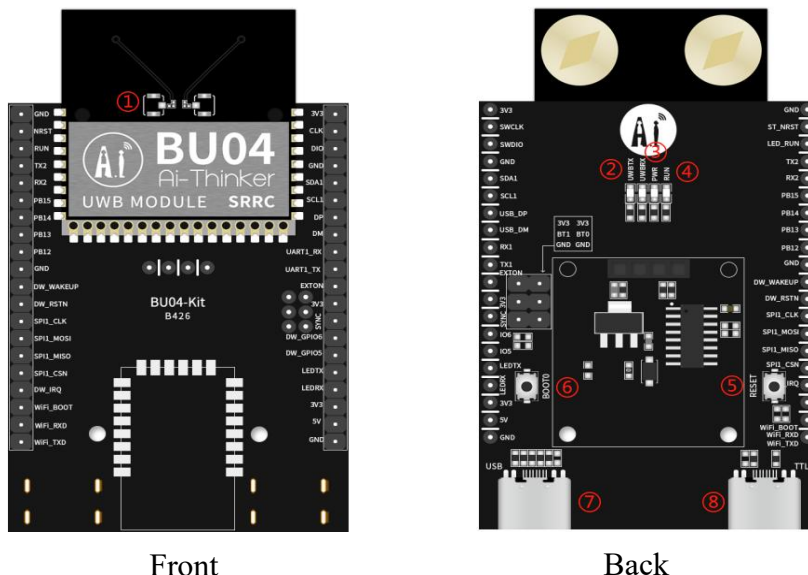


Figure 5 Position of indicators and buttons on BU04-Kit

Table 5 BU04-Kit indicators\key positions, and pins

①	External antenna seat
②	Communication light
③	Power light
④	Running indicator light
⑤	Reset key
⑥	Burning control key, press B00T0 pin pull high, serial port burning
⑦	USB communication host computer ranging data interface
⑧	AT command + program burning port

Note: The development board comes with a jump cap, BOOT1 and BOOT0 are pulled down by default, and the effect of pressing the key is the same as that of jumping to the high level of the jump cap, which controls the serial port burning.

Boot mode select pin		Start-up model	Description
BOOT1	BOOT0		
X	0	Main flash memory	The main flash memory is selected to locate the boot area
0	1	System memory	The system memory is selected as the boot area
1	1	Built-in SRAM	The built-in SRAM is selected as the boot area



**Table 6 Pin function definition table**

No.	Name	Function
1	GND	GND
2	ST_N_RST	NRST
3	LED_RUN	PA1_LED_RUN, ADC_IN1 / USART2_RTS / TIM2_CH2
4	UART2_TX	ADC_IN2 / USART2_TX / TIM2_CH3
5	UART2_RX	ADC_IN3 / USART2_RX / TIM2_CH4
6	PB15	PB15,SPI2_MOSI/TIM1_CH3N
7	PB14	PB14,SPI2_MISO/USART3_RTSTIM1_CH2N
8	PB13	PB13,SPI2_SCK/USART3_CTS/TIM1_CH1N
9	PB12	PB12,SPI2_NSS/I2C2_SMBAl/USART3_CK/TIM1_BKIN
10	GND	GND
11	DW_WAKEUP	PA0WKUP,PA0,WKUP/USART2_CTS(9)/ADC12_IN0/TIM2_CH1_ETR
12	DW_RXTN	DW_RXTN
13	SPI1_CLK	ADC_IN5 / SPI1_SCK
14	SPI1_MOSI	ADC_IN7 / SPI1_MOSI / TIM3_CH2
15	SP1_MISO	ADC_IN6 / SPI1_MISO / TIM3_CH1
16	SPI1_CSN	ADC_IN4 / SPI1_NSS / USART2_CK
17	DW_IRQIO	DW_IRQ/GPIO8
18	WIFI_BOOT	WIFI_BOOT
19	WIFI_RXD	WIFI_RXD
20	WIFI_TXD	WIFI_TXD
21	GND	GND
22	5V	5V
23	3V3	3V3
24	LEDRX	LEDRX
25	LEDTX	LEDTX
26	DW_GPIO5	IO5/EXTTXXE/SPIPOL
27	DW_GPIO6	IO6/EXTRXE/SPIPHA
28	DW_SYNC	DW_SYNC
29	3V3	3V3

30	EXTON	EXTON_PA8
31	UART1_TX	UART1_TX
32	UART1_RX	UART1_RX
33	USB_DM	USB_DM
34	USB_DP	USB_DP
35	I2C1_SCL	I2C1_SDA / TIM4_CH2 / USART1_RX
36	I2C1_SDA	I2C1_SCL / TIM4_CH1 / USART1_TX
37	GND	GND
38	SWDIO	SWDIO
39	SWCLK	SWCLK
40	3V3	3V3

## 6. Schematic

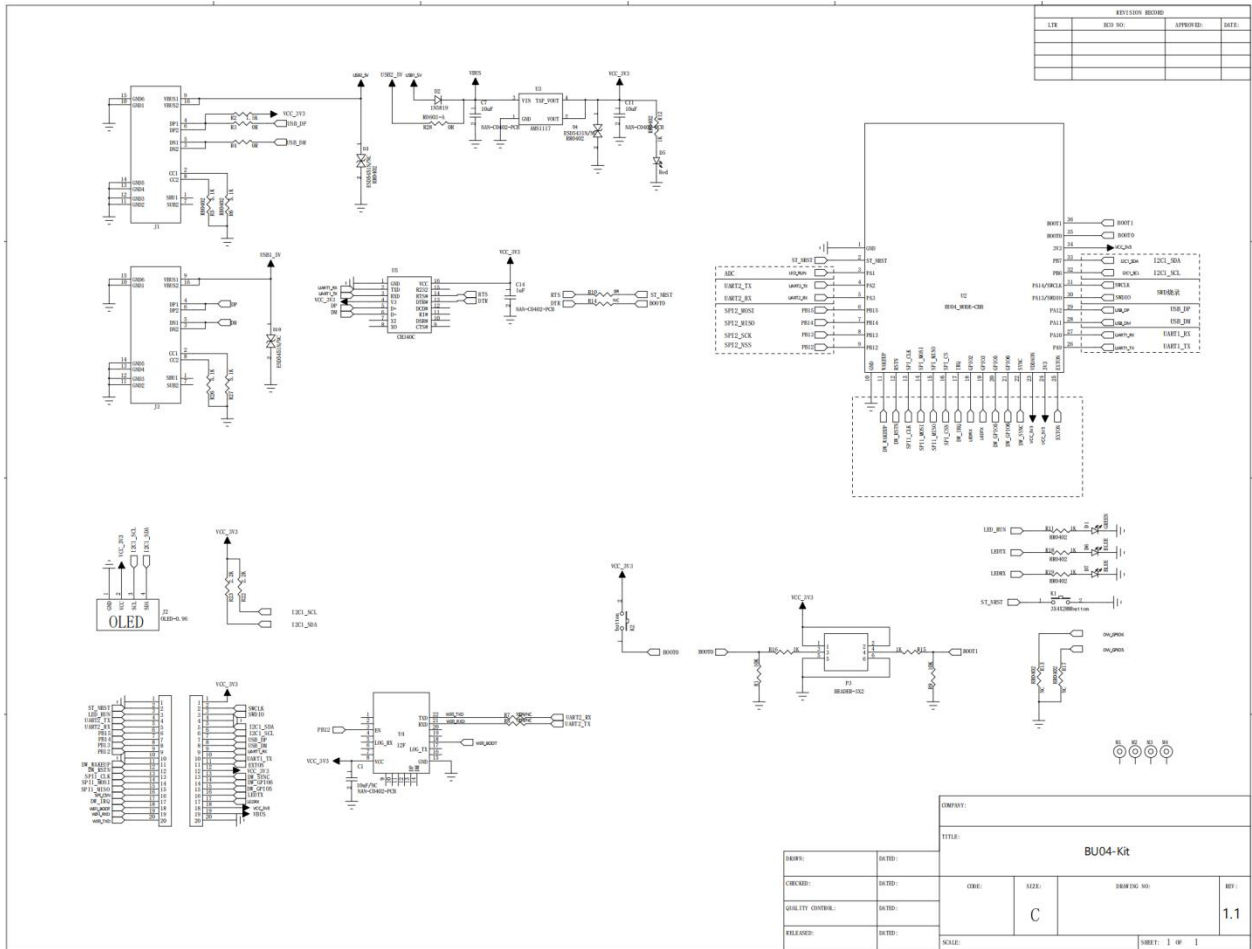


Figure 7 Schematic

## 7. Product packaging information

Table 7 Packaging information table

Packing List	Package	Pack Quantity Units (electrostatic bag)	Pack Quantity Units(Sealed bag)
BU04-Kit	Foam + electrostatic bag	1pcs	10pcs

## 8. Contact us

[Ai-Thinker official website](#)

[Office forum](#)

[Develop DOCS](#)

[LinkedIn](#)

[Tmall shop](#)

[Taobao shop](#)

[Alibaba shop](#)

Technical support email: [support@aithinker.com](mailto:support@aithinker.com)

Domestic business cooperation: [sales@aithinker.com](mailto:sales@aithinker.com)

Overseas business cooperation: [overseas@aithinker.com](mailto:overseas@aithinker.com)

Company Address: Room 403-405,408-410, Block C, Huafeng Smart Innovation Port, Gushu 2nd Road, Xixiang, Baoan District, Shenzhen.

Tel: +86-0755-29162996



Wechat mini program



WeChat official account

## Disclaimer and copyright notice

The information in this article, including the URL address for reference, is subject to change without notice.

The document is provided "as is" without any guarantee responsibility, including any guarantee for merchantability, suitability for a specific purpose, or non-infringement, and any guarantee mentioned elsewhere in any proposal, specification or sample. This document does not bear any responsibility, including the responsibility for infringement of any patent rights arising from the use of the information in this document. This document does not grant any license for the use of intellectual property rights in estoppel or other ways, whether express or implied.

The test data obtained in the article are all obtained from Ai-Thinker's laboratory tests, and the actual results may vary slightly.

All brand names, trademarks and registered trademarks mentioned in this article are the property of their respective owners, and it is hereby declared.

The final interpretation right belongs to Shenzhen Ai-Thinker Technology Co.,Ltd.

## Notice

Due to product version upgrades or other reasons, the contents of this manual may be changed.

Shenzhen Ai-Thinker Technology Co.,Ltd. reserves the right to modify the contents of this manual without any notice or prompt.

This manual is only used as a guide. Shenzhen Ai-Thinker Technology Co.,Ltd. makes every effort to provide accurate information in this manual. However, Shenzhen Ai-Thinker Technology Co.,Ltd. does not guarantee that the contents of the manual are completely free of errors. All statements and information in this manual and the suggestion does not constitute any express or implied guarantee.

## Important Statement

Ai-Thinker provides technical and reliability data (including data sheets), design resources (including reference designs), application or other design advice, web tools, safety information, and other resources "as is" (hereinafter referred to as "these resources"), There is no warranty against defects and no warranties of any kind, express or implied, including, but not limited to, express or implied warranties of fitness, fitness for a particular purpose, or non-infringement of any third party intellectual property rights, are disclaimed. And specifically disclaims responsibility for any inevitable or incidental losses including but not limited to the application or the use of any products and circuits of our company.

Ai-Thinker reserves the right to change the information released in this document (including but not limited to indicators and product descriptions) and any involved products of the company without prior notice. This document automatically supersedes and replaces the previous version of the same document number. All information provided.

These resources are available to skilled developers designing with Ai-Thinker products. You will be solely responsible for the following: (1) Select the appropriate Ai-Thinker product for your application; (2) Design, verify, and operate your application and product throughout the life cycle; (3) Ensure that your application meets all Appropriate standards, codes and laws, and any other functional safety, information security, regulatory or other requirements.

Ai-Thinker authorizes you to use these resources only to develop applications for the Ai-Thinker products described in this resource. Without the permission of Ai-Thinker, no unit or individual may excerpt, copy part or all of these resources, and shall not spread them in any form. You have no right to use any other Ai-Thinker intellectual property or any third party intellectual property. You shall fully indemnify and in no event shall Ai-Thinker be liable to Ai-Thinker and its representatives for any claims, damages, costs, losses and liabilities arising out of the use of these resources.

Products offered by Ai-Thinker are subject to Ai-Thinker's Terms of Sale or other applicable terms accompanying Ai-Thinker products. Ai-Thinker's provision of these resources does not extend or otherwise alter the applicable warranties or warranty disclaimers for product releases.