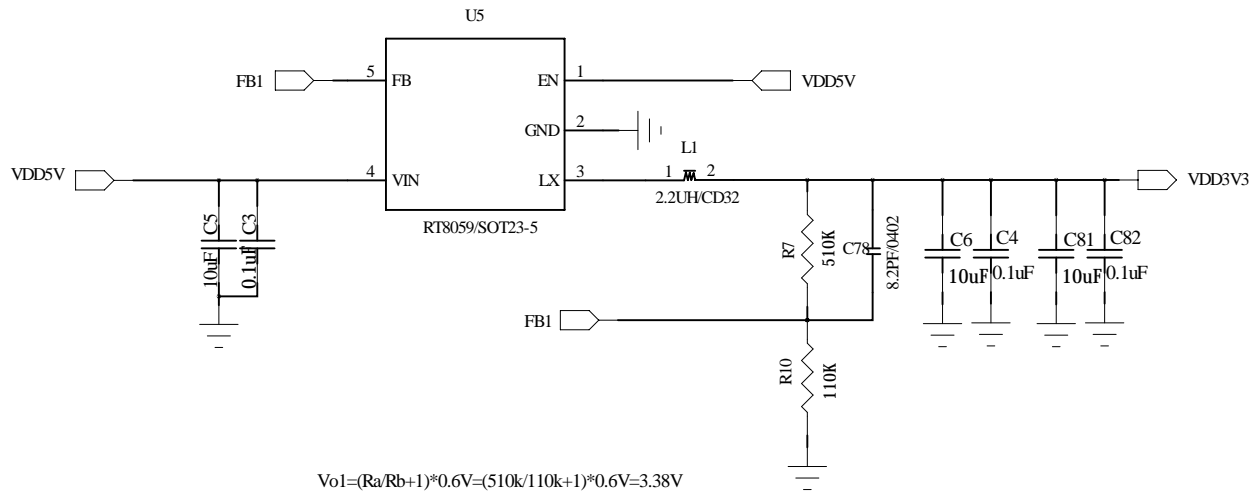


POWER



$$V_{o1} = (R_a/R_b + 1) * 0.6V = (510k/110k + 1) * 0.6V = 3.38V$$

