



# Ai-WB2-01N Specification

Version V1.0.1

Copyright ©2023

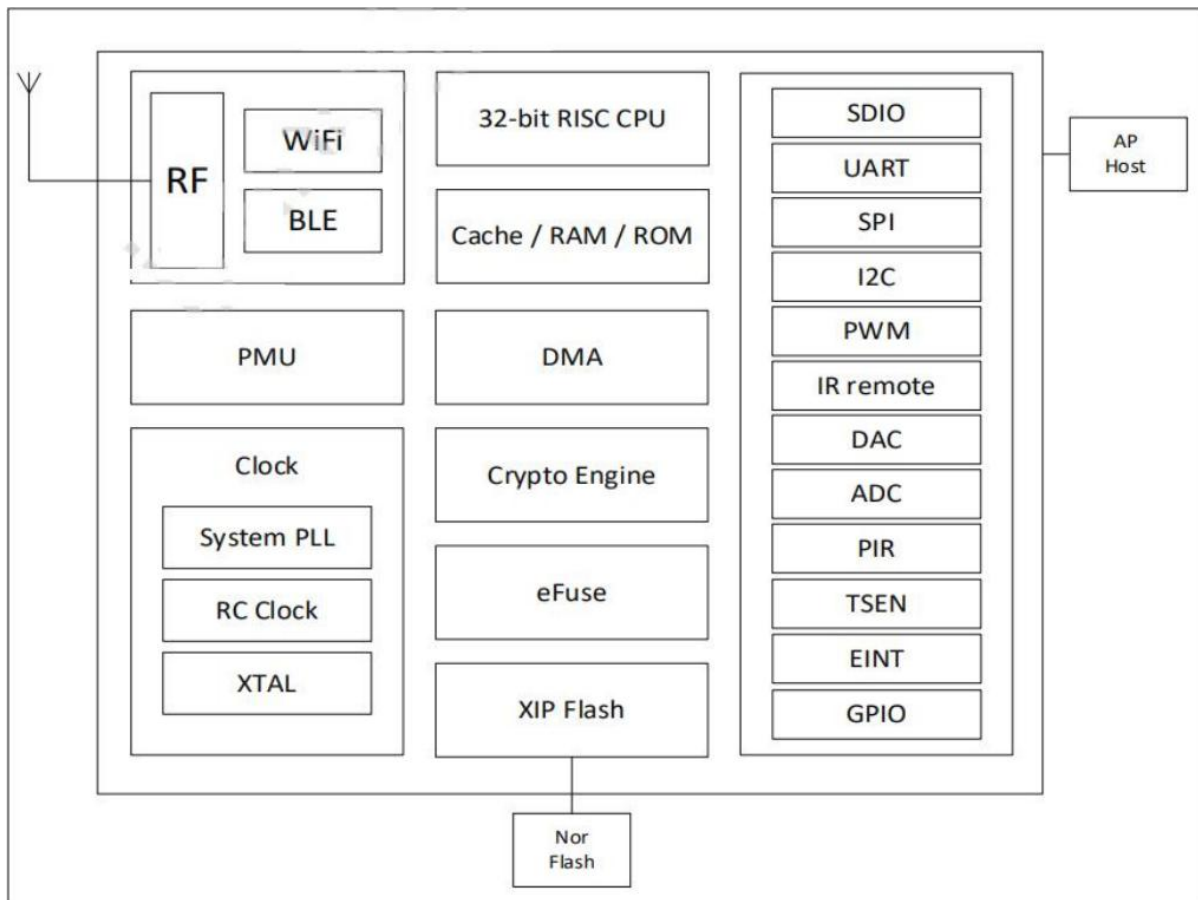


## Content

1. Product Overview .....	4
1.1. Characteristic .....	5
2. Main parameters .....	6
2.1. Static electricity requirement .....	6
2.2. Electrical characteristics .....	7
2.3. Wi-Fi RF Performance .....	7
2.4. BLE RF Performance .....	8
2.5. Power .....	8
3. Appearance Dimensions .....	9
4. Pin Definition .....	10
5. Schematic .....	12
6. Antenna parameters .....	13
6.1. Schematic diagram of the antenna test prototype .....	13
6.2. Antenna S parameter .....	14
6.3. Antenna Gain and Efficiency .....	14
6.4. Antenna pattern .....	15
6.5. RF OTA parameters .....	16
7. Design Guidance .....	17
7.1. Application circuit .....	17
7.2. Recommend PCB footprint size .....	17
7.3. Antenna layout requirements .....	18
7.4. Power supply .....	18
7.5. GPIO .....	19
8. Storage conditions .....	20
9. Reflow welding curve diagram .....	20
10. Product Packaging Information .....	21
11. Contact us .....	21
Disclaimer and copyright notice .....	22
Notice .....	22

## 1. Product Overview

Ai-WB2-01N is a Wi-Fi&BT module developed by Shenzhen Ai-Thinker Technology Co., LTD. The module is equipped with BL602 chip as the core processor and supports Wi-Fi 802.11b/ g/n protocol and BLE 5.0 protocol. The BL602 chip has a low-power 32-bit RISC CPU, 276KB RAM, and a wealth of peripheral interfaces, including SDIO, SPI, UART, I2C, IR Remote, PWM, ADC, DAC, PIR and GPIO etc. It can be widely used in Internet of Things (IoT), mobile devices, wearable electronic devices, smart home and other fields.



**Figure 1 Main chip block diagram**

## 1.1. Characteristic

- The package is DIP-11
- Support IEEE 802.11 b/g/n protocol
- Wi-Fi Security Support WPS/WEP/WPA/WPA2 Personal/WPA2 Enterprise/WPA3
- Support 20MHz bandwidth and Max rate is 72.2 Mbps
- Bluetooth BLE 5.0, Bluetooth Mesh
- Support Station + BLE mode、 Station + SoftAP + BLE mode
- Support 32-bit RISC CPU, 276KB RAM
- Secure start-up, supports mirroring with ECC-256 signature
- Support QSPI/SPI Flash On-The-Fly AES Decryption, support AES 128 CTR mode
- Support AES 128/192/256-bit encryption engine
- Support SHA-1/224/256
- Support true Random number generator (TRNG)
- Public key Accelerator (PKA), support large number basic operations, software provides signature, verification and other application program interface
- Support SPI, UART, I2C, PWM, ADC, DAC, GPIO etc
- Integrated Wi-Fi MAC/BB/RF/PA/LNA/BT
- Support a variety of sleep modes, deep sleep current 12 $\mu$ A
- Universal AT instruction for quick start
- Support secondary development, integrated Windows, Linux development environment

## 2. Main parameters

**Table 1 Description of the main parameters**

<b>Model</b>	Ai-WB2-01N
<b>Package</b>	DIP-11
<b>Size</b>	17.9*15.0*3.1(±0.2)mm
<b>Antenna</b>	on-board PCB antenna
<b>Frequency</b>	2400 ~ 2483.5MHz
<b>Operating temperature</b>	-40°C ~ 85°C
<b>Storage temperature</b>	-40°C ~ 125°C, < 90%RH
<b>Power supply</b>	Support voltage 2.7V ~ 3.6V, supply current ≥500mA
<b>Interface</b>	UART/GPIO/ADC/DAC/PWM/I2C/SPI
<b>IO</b>	8
<b>UART rate</b>	Default 115200 bps
<b>Security</b>	WPS/WEP/WPA/WPA2 Personal/WPA2 Enterprise/WPA3
<b>Flash</b>	Default 2MByte, Support expansion

### 2.1. Static electricity requirement

Ai-WB2-01N is an electrostatic sensitive device. Therefore, you need to take special precautions when carrying it.



**Figure 2 ESD preventive measures**

## 2.2. Electrical characteristics

**Table 2 Electrical characteristics table**

Parameters	Condition	Min.	Typical value	Max.	Unit
Voltage Supply	VDD	2.7	3.3	3.6	V
I/O	VIL	-	-	0.3*VDDIO	V
	VIH	-	0.7*VDDIO	-	V
	VOL	-	-	0.1*VDDIO	V
	VOH	-	-	0.9*VDDIO	V
	IMAX	-	-	-	15

## 2.3. Wi-Fi RF Performance

**Table 3 Wi-Fi RF performance table**

Description	Typical value			Unit
Frequency range	2400 ~ 2483.5MHz			MHz
<b>Output Power</b>				
Mode	Min.	Typical value	Max.	Unit
11n Mode HT20, PA output power	-	16	-	dBm
11g Mode, PA output power	-	17	-	dBm
11b Mode, PA output power	-	19	-	dBm
<b>Receive Sensitivity</b>				
Mode	Min.	Typical value	Max.	Unit
11b, 1 Mbps	-	-98	-	dBm
11b, 11 Mbps	-	-90	-	dBm
11g, 6 Mbps	-	-93	-	dBm
11g, 54 Mbps	-	-76	-	dBm
11n, HT20 (MCS7)	-	-73	-	dBm

## 2.4. BLE RF Performance

**Table 4 BLE RF performance table**

Description	Typical value			Unit
Frequency range	2400 ~ 2483.5MHz			MHz
Output Power				
Rate Mode	Min.	Typical value	Max.	Unit
1Mbps	-	9	15	dBm
Receive Sensitivity				
Rate Mode	Min.	Typical value	Max.	Unit
1Mbps sensitivity@30.8%PER	-	-96	-	dBm

## 2.5. Power

The following power consumption data are based on a 3.3V power supply, 25°C ambient temperature, and measured using an internal voltage regulator.

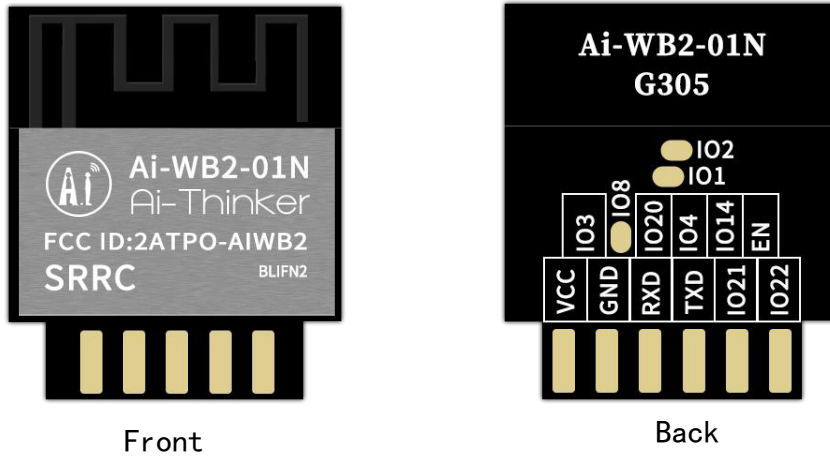
- All measurements are made at the antenna interface with a filter.
- All transmission data are based on 100% duty cycle in continuous transmission mode.

**Table 5 Power consumption table**

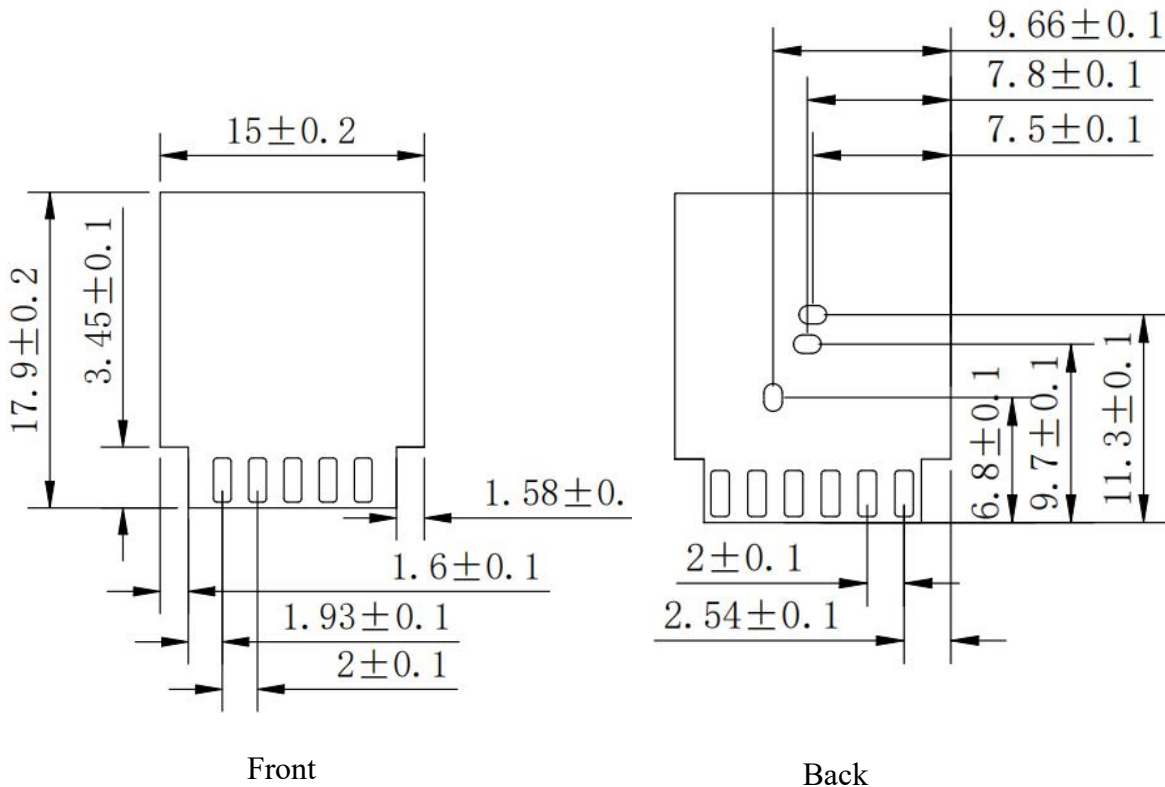
Mode	Min.	AVG	Max.	Unit
Tx 802.11b, 11Mbps, POUT=+21dBm	-	347	-	mA
Tx 802.11g, 54Mbps, POUT =+18dBm	-	264	-	mA
Tx 802.11n, MCS7, POUT =+17dBm	-	236	-	mA
Rx 802.11b,packet length 1024 byte	-	63	-	mA
Rx 802.11g,packet length 1024 byte	-	63	-	mA
Rx 802.11n,Packet length 1024 byte	-	63	-	mA
Deep-Sleep	-	12	-	μA



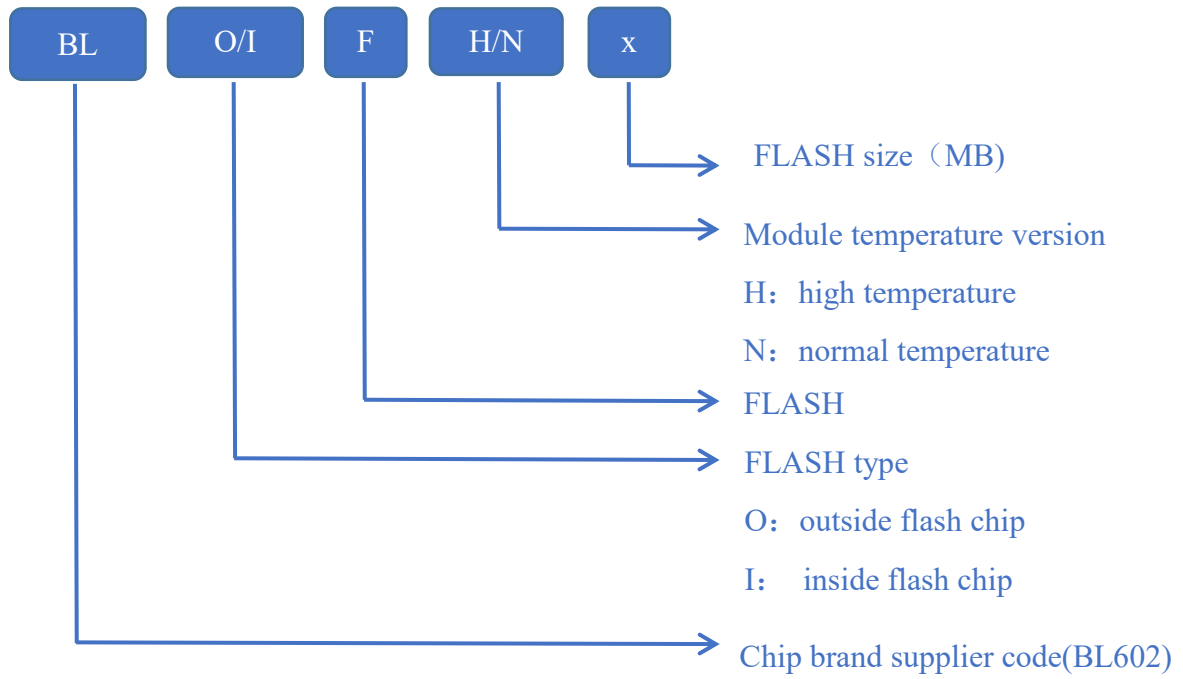
### 3. Appearance Dimensions



**Figure 3 Appearance diagram (Rendering figure is for reference only,subject to physical objects)**



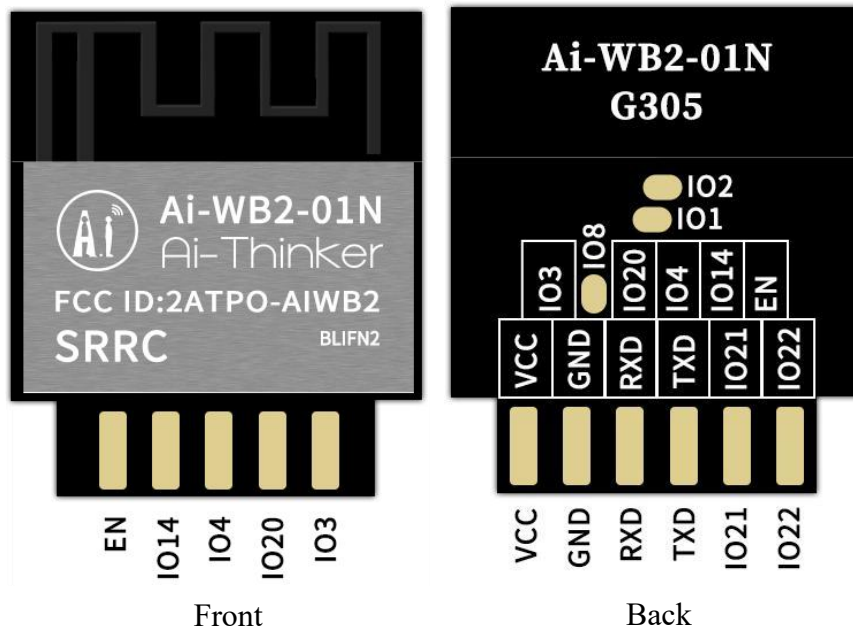
**Figure 4 Dimension diagram (单位: mm)**



**Figure 5 Shield printing information**

## 4. Pin Definition

Ai-WB2-01N module is connected with a total of 14 pins, as shown in the pin schematic diagram, pin function definition table is the interface definition.

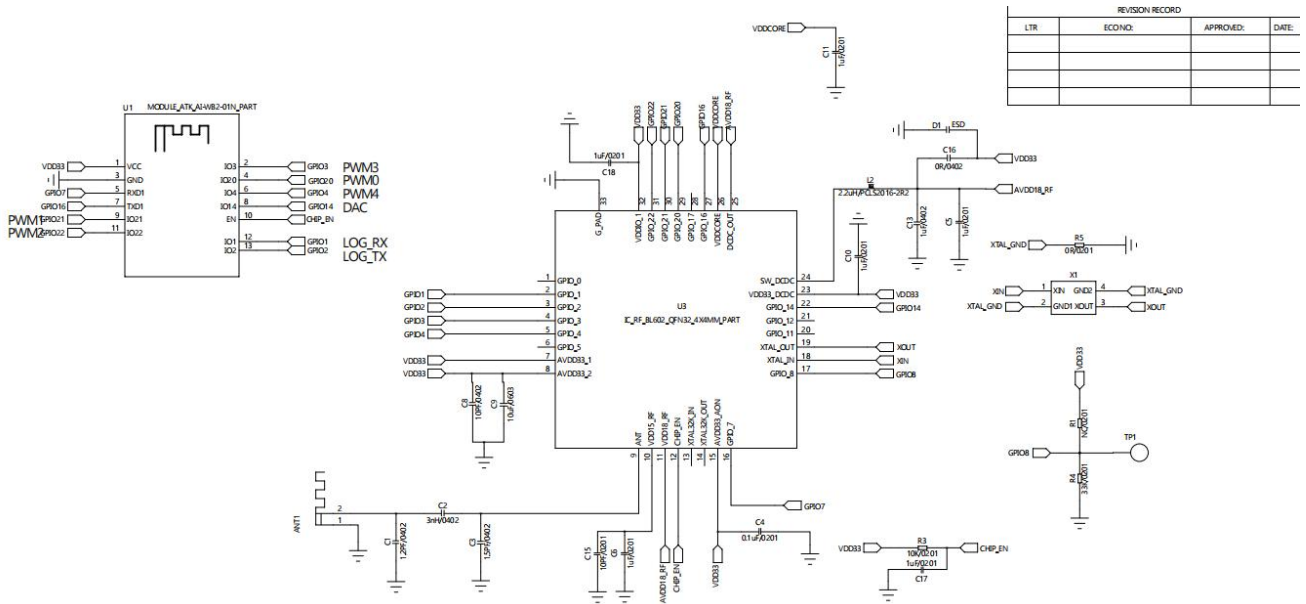


**Figure 6 Schematic diagram of module pins**

**Table 6 Pin function definition table**

No.	Na	Function
1	VC C	3.3V power supply; It is recommended that the output current of the external power supply be higher than 500mA
2	IO3	GPIO3/SPI_SCLK/IIC_SDA/PWM_CH3
3	GN	Ground
4	IO2 0	GPIO20/SPI_MOSI/MISO/IIC_SCL/PWM_CH0
5	RX D	RXD/GPIO7/SPI_SCLK/IIC_SDA/PWM_CH2
6	IO4	GPIO4/SPI_MOSI/MISO/IIC_SCL/PWM_CH4/ADC_CH1
7	TX D	TXD/GPIO16/SPI_MOSI/MISO/IIC_SCL/PWM_CH1
8	IO1 4	GPIO14/SPI_SS/IIC_SCL/PWM_CH4/ADC_CH2/DAC_B
9	IO2	GPIO21/SPI_MOSI/MISO/IIC_SDA/PWM_CH1
10	EN	Default chip enable pin, active-high
11	IO2 0	GPIO22/SPI_SS/IIC_SCL/PWM_CH2
Test point	IO8	Bootstrap/GPIO8/SPI_MOSI/MISO/IIC_SCL/PWM_CH3
Test point	IO1	GPIO1/SPI_MOSI/MISO/IIC_SDA/PWM_CH1
Test point	IO2	GPIO2/SPI_SS/IIC_SCL/PWM_CH2
Note: GPIO8 as Bootstrap, when the module enters burning mode, the power moment is high level; when the power moment is low level, the module starts normally		

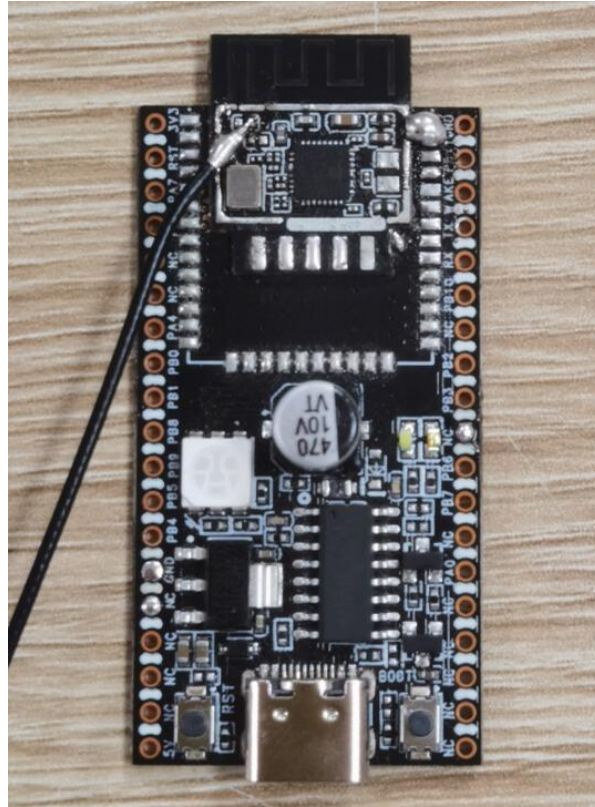
## 5. Schematic



**Figure 7 Module schematic**

## 6. Antenna parameters

### 6.1. Schematic diagram of the antenna test prototype



**Figure 8 Schematic diagram of the antenna test prototype**

## 6.2. Antenna S parameter

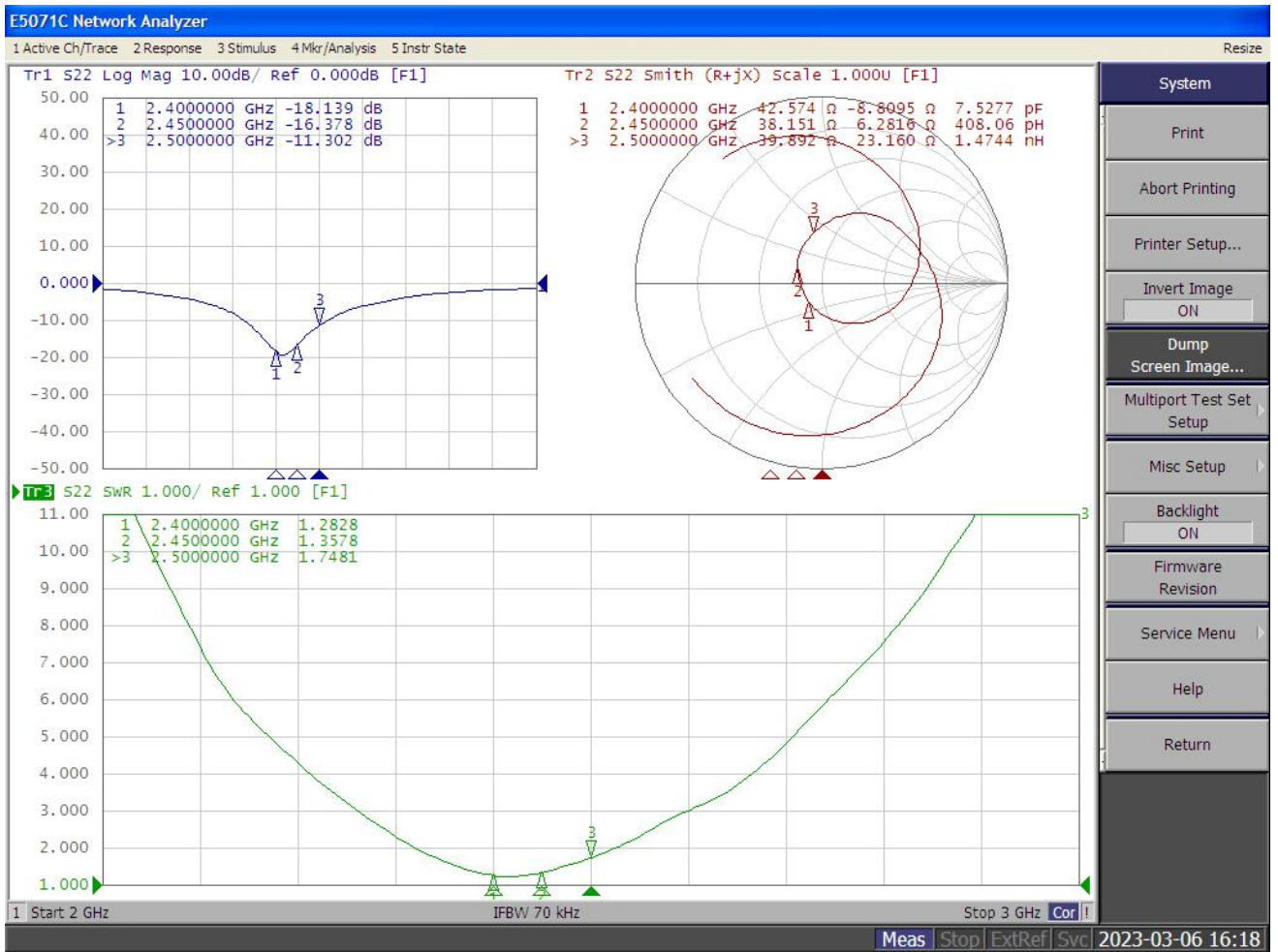


Figure 9 Antenna S parameters

## 6.3. Antenna Gain and Efficiency

Table 7 Antenna Gain and efficiency

Frequency ID	1	2	3	4	5	6	7	8	9	10	11
Frequency(MHz)	2400	2410	2420	2430	2440	2450	2460	2470	2480	2490	2500
Gain (dBi)	1.72	1.68	1.71	1.89	2.08	2.06	2.08	2.03	1.96	1.90	2.00
Efficiency (%)	50.25	49.60	49.19	50.19	52.19	52.11	52.58	52.16	51.67	50.86	50.88

## 6.4. Antenna pattern

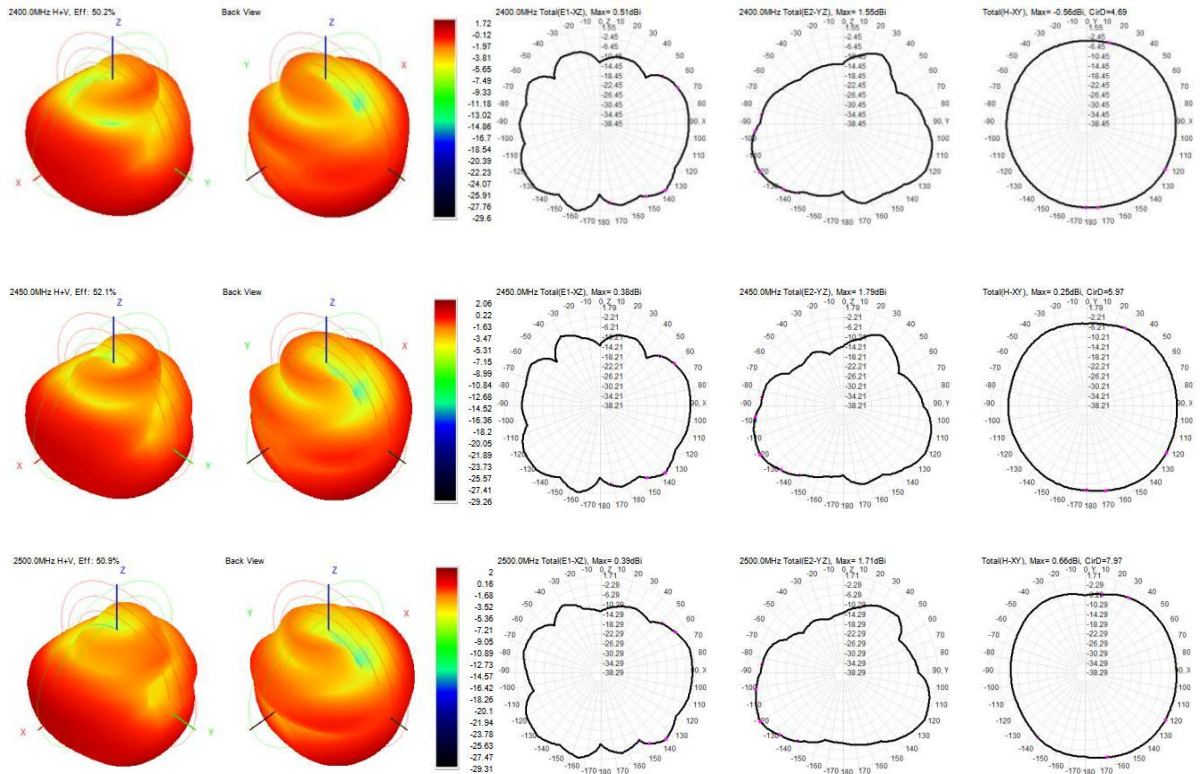


Figure 10 Antenna pattern

## 6.5. RF OTA parameters

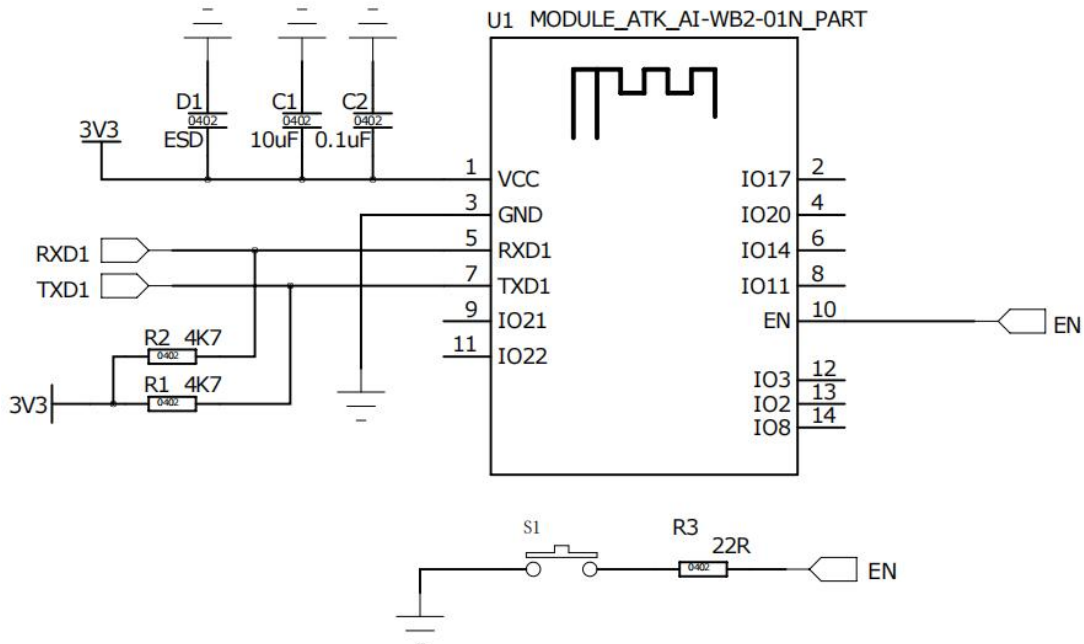
**Table 8 RF OTA parameters**

Item	Mode	Rate(Mbps)	Channel	Fre.(MHz)	Data(dBm)
TRP	11b	11	1	2412	16.97
			6	2437	15.80
			13	2472	15.22
	11g	54	1	2412	14.72
			6	2437	13.55
			13	2472	12.91
	HT20	MCS7	1	2412	14.60
			6	2437	13.28
			13	2472	12.49
TIS	11b	11	1	2412	-84.25
			6	2437	-82.28
			13	2472	-82.15
	11g	54	1	2412	-71.00
			6	2437	-70.57
			13	2472	-70.26
	HT20	MCS7	1	2412	-66.76
			6	2437	-64.90
			13	2472	-64.37



## 7. Design Guidance

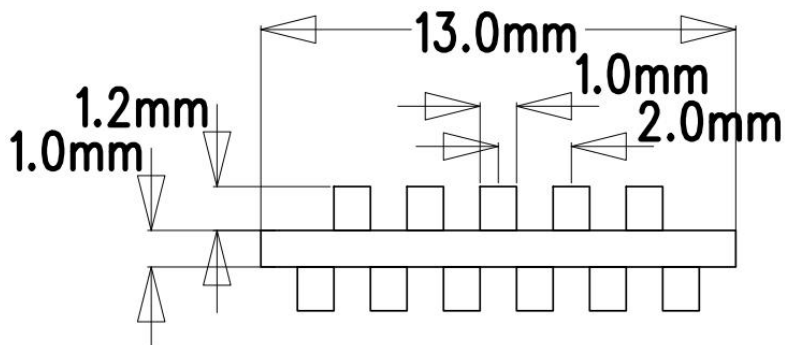
### 7.1. Application circuit



**Figure 11 Application circuit diagram**

- If the IO port is used as PWM, it is recommended to reserve a 4.7K pull-down resistor around the module. Especially in the application of light control, it can prevent the flashing light phenomenon at the moment of power-on start.
- The 8/NC pin, which are not available by default. If you need to use it, please contact Ai-Thinker.

### 7.2. Recommend PCB footprint size



**Figure 12 Recommend PCB footprint size**

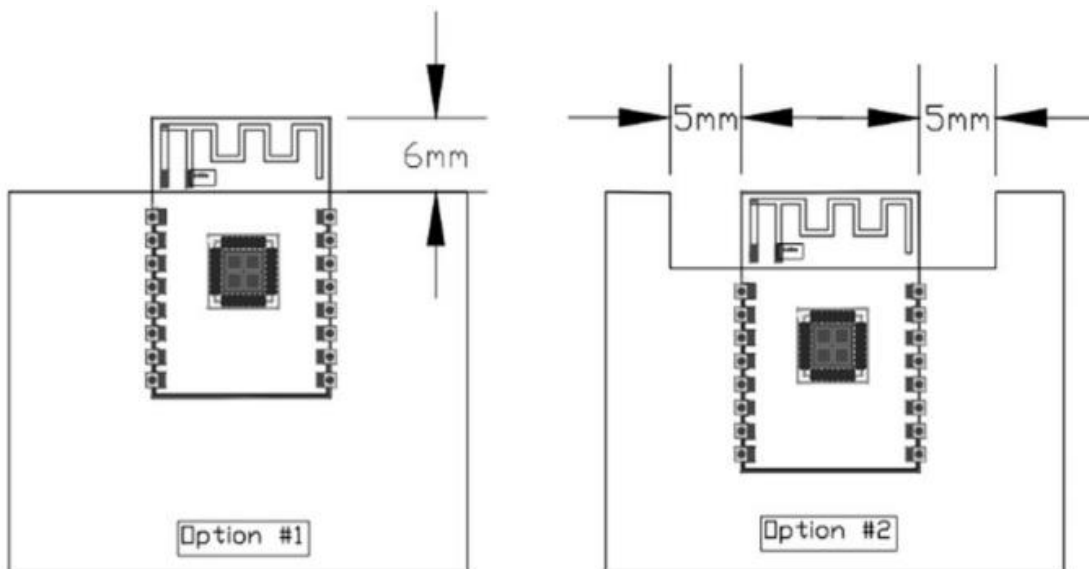
### 7.3. Antenna layout requirements

- The following two methods are recommended for the installation position on the mainboard:

Option 1: put the module on the edge of the motherboard, and the antenna area extends out of the edge of the motherboard.

Option : put the module on the edge of the motherboard, the edge of the motherboard at the antenna position hollowed out an area.

- In order to meet the performance of onboard antenna, it is forbidden to place metal parts around the antenna and keep away from high frequency devices.



**Figure 13 Antenna layout diagram**

### 7.4. Power supply

- Recommended 3.3V voltage, peak current over 500mA.
- Power supply is recommend to use LDO; if the DC-DC is used, the ripple is recommended to be controlled within 30mV
- DC-DC power supply circuit proposes to reserve the dynamic response capacitance to optimize the output ripple with large load changes.
- It is recommended to add ESD devices to the 3.3V power interface.

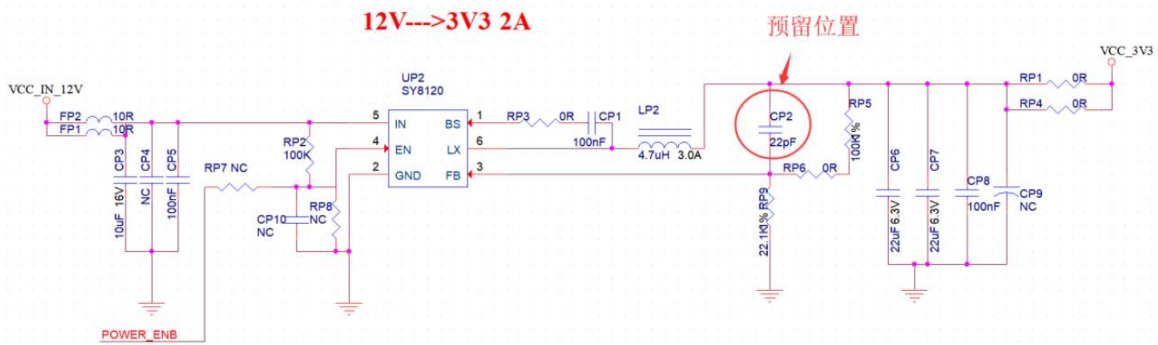


Figure 14 DC-DC step-down circuit diagram

## 7.5. GPIO

- There are some IO ports on the periphery of the module. If you need to use it, it is recommended to connect a 10-100 ohm resistor in series with the IO port. This inhibits overshoot and makes both sides level more stable. It is helpful for EMI and ESD.
- For special I/O ports to be pulled up and down, refer to the direction for use in the specifications, which may affect the module start-up configuration.
- The IO port of the module is 3.3V. If the IO level of the main control and the module do not match, a level convert circuit needs to be added.
- If the I/O port is directly connected to a peripheral port or terminals, for example, a pin row, reserve an ESD device near the terminal of the I/O cable.

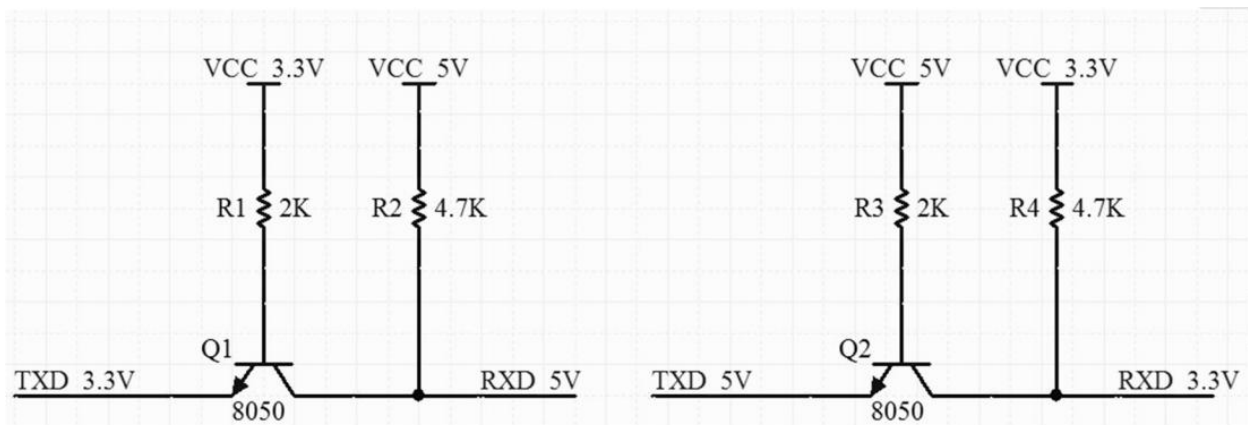


Figure 15 Level convert circuit

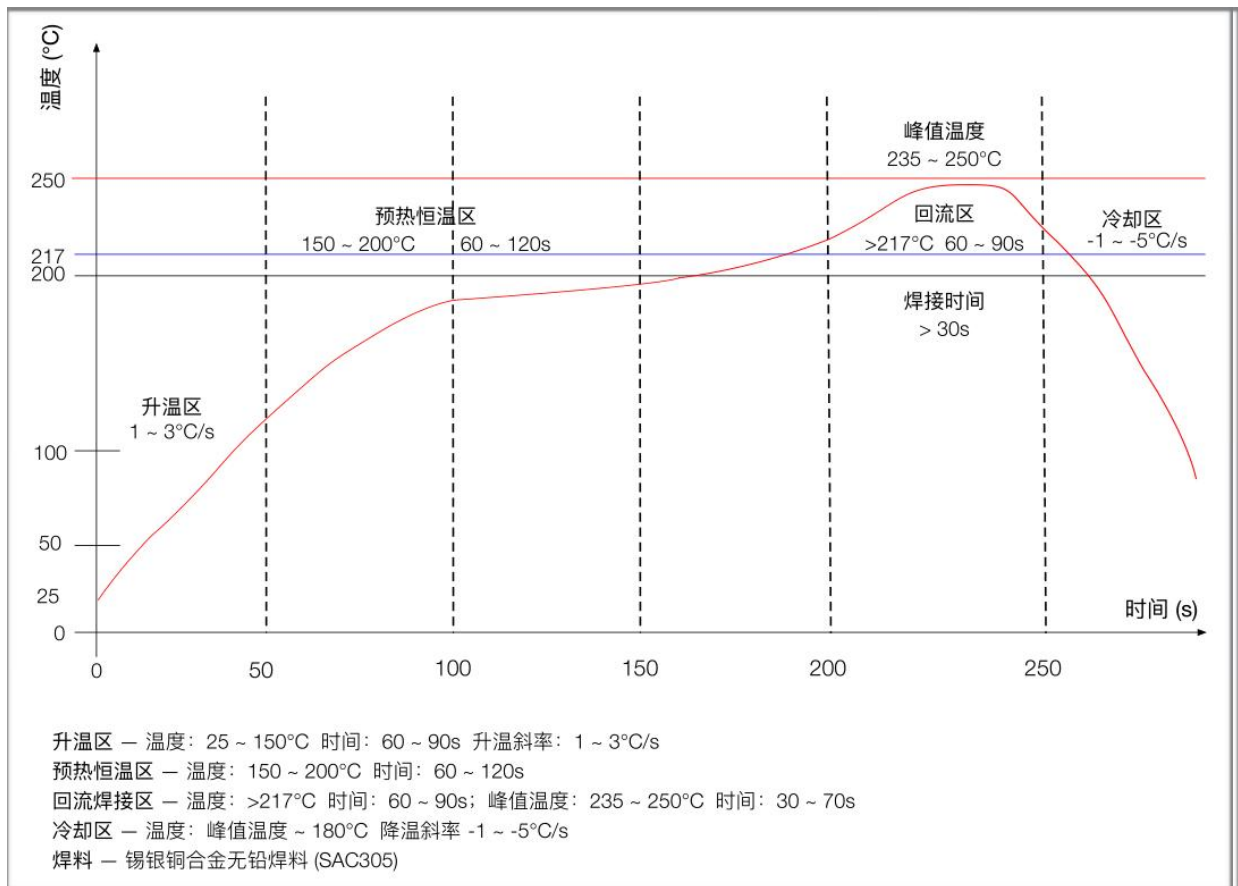
## 8. Storage conditions

Products sealed in moisture-proof bags should be stored in a non-condensing atmosphere of  $<40^{\circ}\text{C} / 90\% \text{RH}$ .

The module has a moisture sensitivity rating of MSL 3.

After the vacuum bag is opened, it must be used within 168 hours at  $25 \pm 5^{\circ}\text{C} / 60\% \text{RH}$ , otherwise it needs to be baked before it can be put on line again.

## 9. Reflow welding curve diagram



**Figure 16 Reflow welding diagram**

## 10. Product Packaging Information

Ai-WB2-01N module was packaged in a tape, 1000pcs/reel. As shown in the below image:



Figure 17 Package and packing diagram

## 11. Contact us

[Ai-Thinker official website](#)

[Office forum](#)

[Develop DOCS](#)

[LinkedIn](#)

[Tmall shop](#)

[Taobao shop](#)

[Alibaba shop](#)

Technical support email: [support@aithinker.com](mailto:support@aithinker.com)

Domestic business cooperation: [sales@aithinker.com](mailto:sales@aithinker.com)

Overseas business cooperation: [overseas@aithinker.com](mailto:overseas@aithinker.com)

Company Address: Room 403,408-410, Block C, Huafeng Smart Innovation Port, Gushu 2nd Road, Xixiang, Baoan District, Shenzhen.

Tel: +86-0755-29162996



WeChat mini program



WeChat official account

## Disclaimer and copyright notice

The information in this article, including the URL address for reference, is subject to change without notice.

The document is provided "as is" without any guarantee responsibility, including any guarantee for merchantability, suitability for a specific purpose, or non-infringement, and any guarantee mentioned elsewhere in any proposal, specification or sample. This document does not bear any responsibility, including the responsibility for infringement of any patent rights arising from the use of the information in this document. This document does not grant any license for the use of intellectual property rights in estoppel or other ways, whether express or implied.

The test data obtained in the article are all obtained from Ai-Thinker's laboratory tests, and the actual results may vary slightly.

All brand names, trademarks and registered trademarks mentioned in this article are the property of their respective owners, and it is hereby declared.

The final interpretation right belongs to Shenzhen Ai-Thinker Technology Co., Ltd.

## Notice

Due to product version upgrades or other reasons, the contents of this manual may be changed.

Shenzhen Ai-Thinker Technology Co., Ltd. reserves the right to modify the contents of this manual without any notice or prompt.

This manual is only used as a guide. Shenzhen Ai-Thinker Technology Co., Ltd. makes every effort to provide accurate information in this manual. However, Shenzhen Ai-Thinker Technology Co., Ltd. does not guarantee that the contents of the manual are completely free of errors. All statements and information in this manual And the suggestion does not constitute any express or implied guarantee.