



Ai-M62-M01L Specification

Version V1.0.0

Copyright ©2023

Document resume

Version	Date	Develop/revise content	Edition	Approve
V1.0.0	2023.11.22	First Edition	Shengzin Zou	NingGuan

Content

1. Product Overview	4
1.1. Characteristics	5
2. Main parameters	6
2.1. Static requirements	6
2.2. Electrical characteristics	7
2.3. Wi-Fi RF performance	7
2.4. BLE RF performance	8
2.5. Power consumption	8
3. Appearance size	9
4. Pin definition	11
5. Schematic	13
6. Design direction	14
6.1. Application guidance circuit	14
6.2. Recommended PCB Package Size	15
6.3. Electricity supply	15
6.4. GPIO	16
7. Storage condition	17
8. Reflow soldering curve	17
9. Product packaging information	18
10. Contact us	18
Disclaimer and copyright notice	19
Notice	19
Statement	20

1. Product Overview

Ai-M62-M01L is a Wi-Fi 6+BLE5.3 module developed by Shenzhen Ai-Thinker Technology Co. The module is equipped with BL616 chip as the core processor, which supports Wi-Fi 802.11b/g/n/ax protocols and BLE protocols, and supports the Thread protocol. The BL616 system contains a floating-point unit, a DSP unit, a cache and memory, cache and memory, and a low-power 32-bit RISC-V CPU with a maximum main frequency of 320 M. The BL616 system contains a low-power 32-bit RISC-V CPU with a floating point unit, DSP unit, cache and memory.

Ai-M62-M01L module has rich peripheral interfaces, including USB2.0, SDU, SD/MMC(SDH), SPI, UART, I2C, I2S, PWM, GPDAC, GPADC, ACOMP and GPIO. They can be widely used in audio/video multimedia, Internet of Things (IoT), mobile devices, wearable electronic devices, smart home and other fields.

Ai-M62-M01L module Sec Eng module supports AES/SHA/PKA/TRNG etc. It supports mirror encryption and signature activation, which meets the needs of various security applications in the field of IoT.

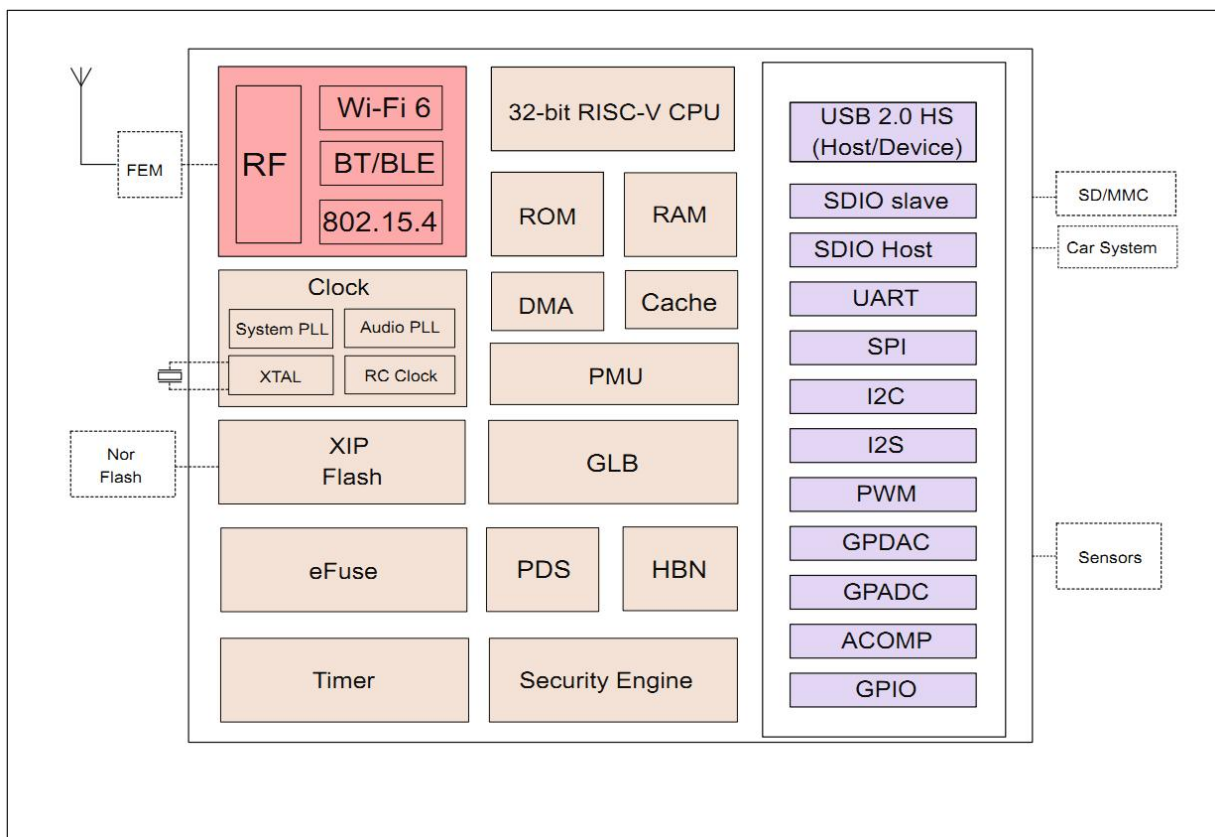


Figure 1 Main chip architecture diagram

1.1. Characteristics

- SMD-36 package
- Supports 2.4GHz operating band
- Support IEEE 802.11 b/g/n/ax
- Support BLE5.3
- Thread support
- Supports Wi-Fi/BLE/Thread coexistence
- Wi-Fi security support WPS/WEP/WPA/WPA2/WPA3
- Supports 20/40MHz bandwidth, 1T1R, up to 229.4 Mbps
- Supports STA, SoftAP, STA+SoftAP, and sniffer modes.
- 32-bit RISC-V CPU with FPU and DSP up to 320M
- 532KB SRAM, 128KB ROM, 4Kb eFuse
- Support USB2.0, SDU, SD/MMC(SDH), SPI, UART, I2C, I2S, PWM, GPDAC, GPADC, ACOMP and GPIO, etc.
- Integrated RF Balun, PA/LNA
- Supports secure boot; secure debugging
- Supports XIP QSPI On-The-Fly AES Decryption (OTFAD)
- TrustZone Support
- Support AES-CBC/CCM/GCM/XTS mode
- Support MD5, SHA-1/224/256/384/512
- Support for TRNG (True Random Number Generator)
- Support for PKA (Public Key Accelerator) for RSA/ECC
- BLE-enabled Wi-Fi fast connectivity
- Generic AT commands to get started quickly
- Support for secondary development, integrated Windows, Linux development environment

2. Main parameters

Table 1 Description of Main Parameters

Model	Ai-M62-M01L
Package	SMD-36
Size	20.0*16.0*2.4(±0.2)mm
Antenna	Compatible Half Hole Pad/IPEX
Frequency	2400 ~ 2483.5MHz
Operating temperature	-40°C ~ 85°C
Storage temperature	-40°C ~ 125°C, < 90%RH
Power supply	The power supply voltage is 2.97V ~ 3.6V, supply current $\geq 500\text{mA}$
Interface	USB2.0、SDU、SD/MMC(SDH)、SPI、UART、I2C、I2S、PWM、GPDAC、GPADC、ACOMP and GPIO
IO	19
UART rate	Default 115200 bps
Security	WPS/WEP/WPA/WPA2/WPA3
Flash	Default 4MByte, maximum support 16MByte

2.1. Static requirements

The Ai-M62-M01L is static sensitive equipment and requires special precautions when handling.



Figure 2 ESD anti-static diagram

2.2. Electrical characteristics

Table 2 Electrical characteristics

Parameters	Condition	Min.	Typical value	Max.	Unit
Supply Voltage	VDD	2.97	3.3	3.6	V
I/O	VIL	-	-	0.3*VDDIO	V
	VIH	-	0.7*VDDIO	-	V
	VOL	-	-	0.1*VDDIO	V
	VOH	-	-	0.9*VDDIO	V
	IMAX	-	-	-	15

2.3. Wi-Fi RF performance

Table 3 Wi-Fi radio frequency performance table

Description	Typical value			Unit
spectral range	2400 ~ 2483.5			MHz
Output power				
Mode	Min.	Typical value	Max.	Unit
11ax mode HE40, PA output power	-	16	-	dBm
11ax mode HE20, PA output power	-	17	-	dBm
11n mode HT40, PA output power	-	19	-	dBm
11n mode HT20, PA output power	-	19	-	dBm
In 11g mode, PA output power	-	19	-	dBm
In 11b mode, PA output power	-	22	-	dBm
Receiving sensitivity				
Mode	Min.	Typical value	Max.	Unit
11b, 1 Mbps	-	-98	-	dBm
11b, 11 Mbps	-	-90	-	dBm
11g, 6 Mbps	-	-93	-	dBm
11g, 54 Mbps	-	-76	-	dBm
11n, HT20 (MCS7)	-	-73	-	dBm
11ax, HE20 (MCS9)	-	-70	-	dBm
11ax, HE40 (MCS9)	-	-67	-	dBm

2.4. BLE RF performance

Table 4 BLE RF performance table

Description	Typical value			Unit
Spectrum range	2400 ~ 2483.5MHz			MHz
Output power				
Mode	Min.	Typical value	Max.	Unit
1Mbps	-	10	15	dBm
2Mbps	-	10	15	dBm
Receiving sensitivity				
Mode	Min.	Typical value	Max.	Unit
1Mbps sensitivity@30.8%PER	-	-99	-	dBm
2Mbps sensitivity@30.8%PER	-	-97	-	dBm

2.5. Power consumption

The following power consumption data is based on a 3.3V power supply and measured at an ambient temperature of 25°C.

- The POUT power for all transmit modes is the measured value at the antenna interface.
- All transmission data are measured in the continuous transmission mode based on a duty cycle of 100%.

Table 5 Power consumption table

Mode	Min.	Average	Max.	Unit
Transmit 802.11b, 11Mbps, POUT=+22dBm	-	423	-	mA
Transmit 802.11g, 54Mbps, POUT	-	331	-	mA
Transmit 802.11n, MCS7, POUT=+19dBm	-	328	-	mA
Transmit 802.11ax, MCS7, POUT=+17dBm	-	293	-	mA
Receive 802.11B, packet length 1024 bytes	-	59	-	mA
Receive 802.11g, packet length 1024 bytes	-	59	-	mA
Receive 802.11n, packet length 1024 bytes	-	59	-	mA
Receive 802.11ax, packet length 1024 bytes	-	59	-	mA

3. Appearance size

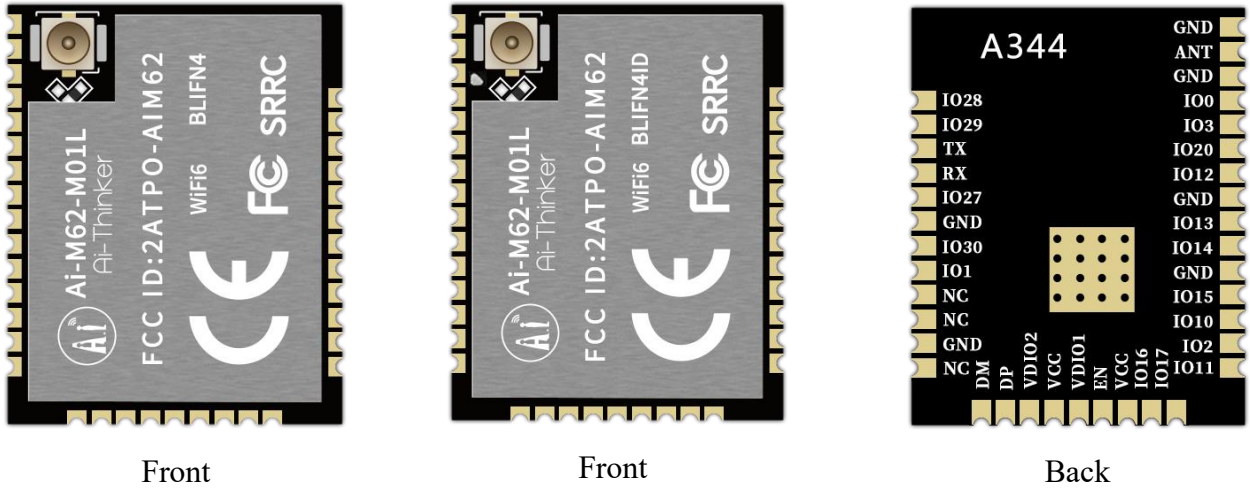


Figure 3 appearance diagram (Rendering diagram is for reference only, subject to actual objects)

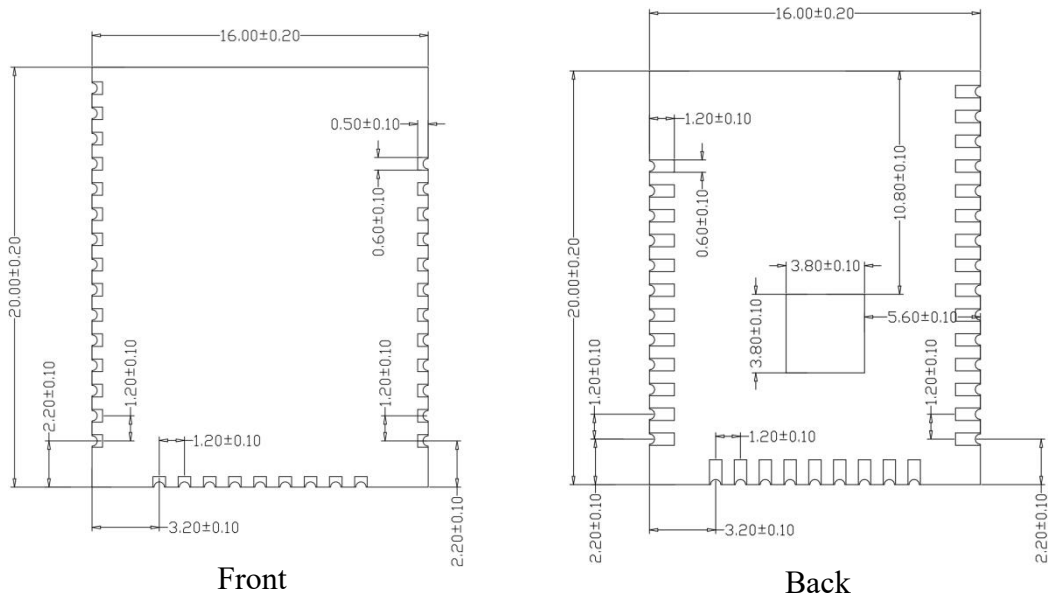


Figure 4 dimension diagram

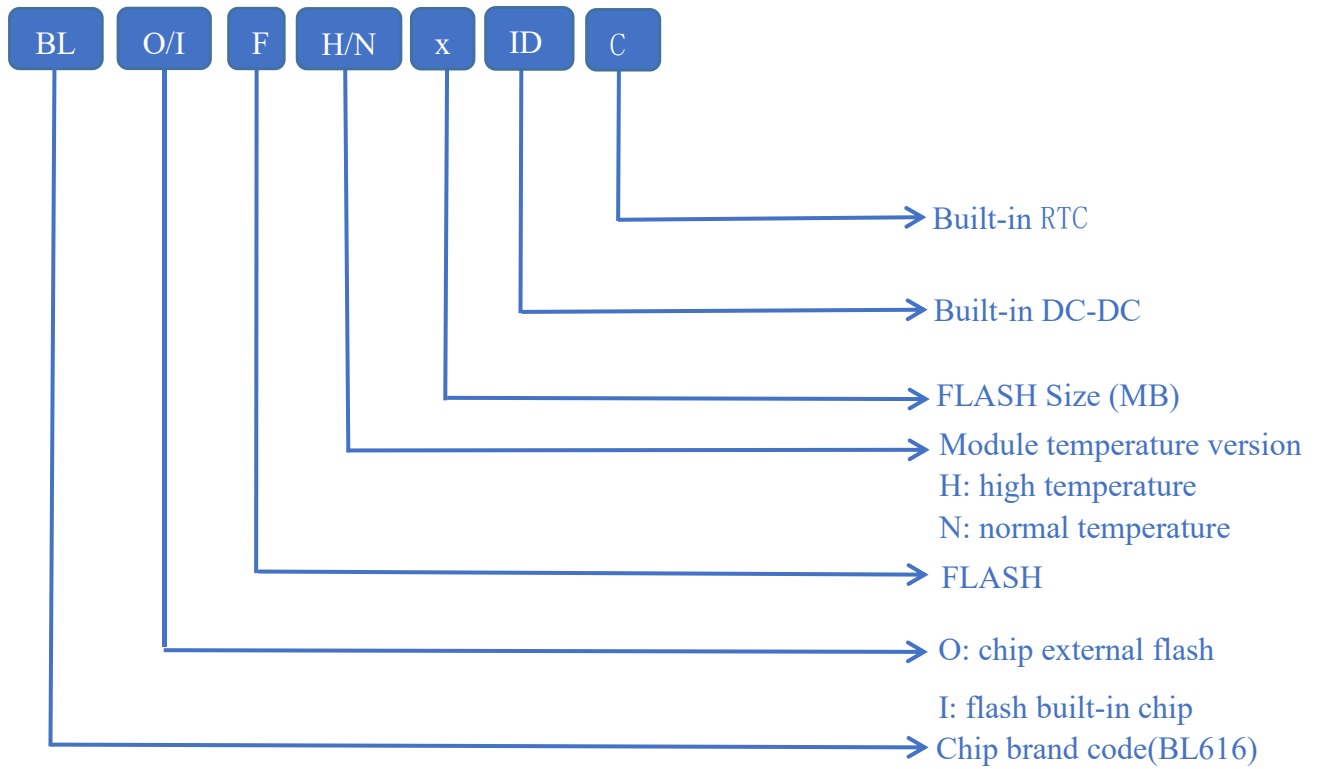
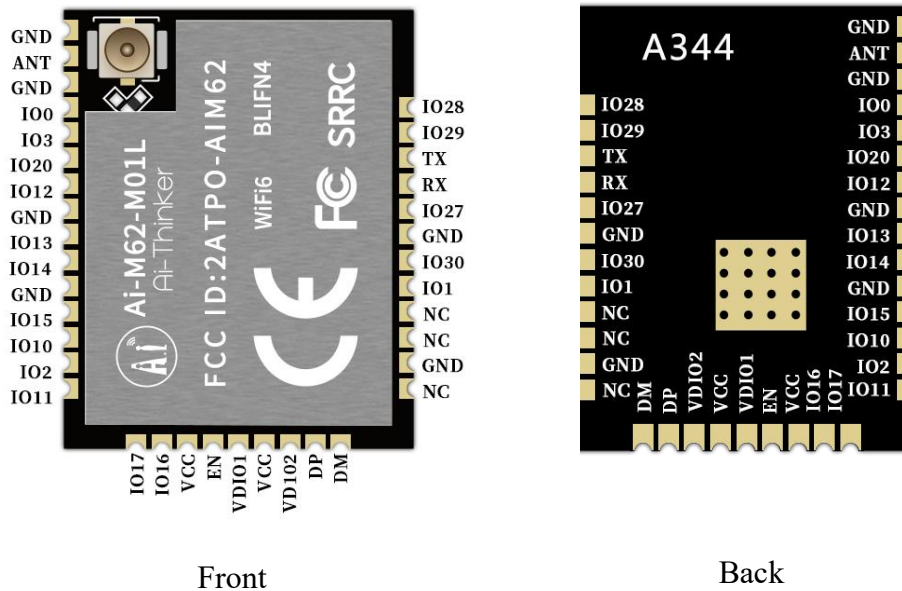


Figure 5 Screen Representative Information of Shields

4. Pin definition

A total of 36 pins are connected to the Ai-M62-M01L module, as shown in the pin diagram, the pin function definition table is an interface definition.



Front

Back

Figure 6 pin diagram

Table 6 Pin function definition table

No.	Name	Functional description
1	IO0	GPIO0/SPI_SS/I2S_BCLK/I2C_SCL/ADC_CH9/PWM0
2	IO3	GPIO3/SPI_MOSI/I2S_DO/I2S_RCLK_O/I2C_SDA/ADC_CH3/PWM0
3	IO20	GPIO20/SPI_SS/I2S_BCLK/I2C_SCL/ADC_CH0/PWM0
4	IO12	GPIO12/SPI_SS/I2S_BCLK/I2C_SCL/ADC_CH6/PWM0
5	GND	Grounding
6	IO13	GPIO13/SPI_SCLK/I2S_FS/I2C_SDA/ADC_CH5/PWM0
7	IO14	GPIO14/SPI_MISO/I2S_DI/I2S_RCLK_O/I2C_SCL/ADC_CH4/PWM0
8	GND	Grounding
9	IO15	GPIO15/SPI_MOSI/I2S_DO/I2S_RCLK_O/I2C_SDA/PWM0
10	IO10	GPIO10/SPI_MISO/I2S_DI/I2S_RCLK_O/I2C_SCL/ADC_CH7/PWM0
11	IO2	Bootstrap/GPIO2/SPI_MISO/I2S_DI/I2S_RCLK_O/I2C_SCL/ADC_CH2/PWM0
12	IO11	GPIO11/SPI_MOSI/I2S_DO/I2S_RCLK_O/I2C_SDA/PWM0

13	IO17	Available by default, this IO port is shared with the internal 32.768KHz crystal output PIN pin of the module. This IO is not available if the module is customised with an internal chip 32.768KHz crystal. GPIO17/SPI_SCLK/I2S_FS/I2C_SDA/XTAL_32K_OUT/PWM0
14	IO16	Available by default, this IO port is shared with the internal 32.768KHz crystal output PIN pin of the module. This IO is not available if the module is customised with an internal chip 32.768KHz crystal. GPIO16/SPI_SS/I2S_BCLK/I2C_SCL/XTAL_32K_IN/PWM0
15	VCC	3.3V power supply input pin; external power supply output current is recommended to be more than 500mA
16	EN	Chip enable, active high
17	VDIO1	GPIO power supply pin input, must supply 3.3V or 1.8V to the module
18	VCC	3.3V power supply input pin; external power supply output current is recommended to be more than 500mA
19	VDIO2	GPIO power input pin, must supply 3.3V or 1.8V to the module
20	DP	USB_DP
21	DM	USB_DM
22	NC	Vacant
23	GND	Grounding
24	NC	Vacant
25	NC	Vacant
26	IO1	GPIO1/SPI_SCLK/I2S_FS/I2C_SDA/ADC_CH8/PWM0
27	IO30	GPIO30/SPI_MISO/I2S_DI/I2S_RCLK_O/I2C_SCL/PWM0
28	GND	Grounding
29	IO27	GPIO27/SPI_MOSI/I2S_DO/I2S_RCLK_O/I2C_SDA/ADC_CH10/PWM0
30	RXD	RXD/GPIO22/SPI_MISO/I2S_DI/I2S_RCLK_O/I2C_SCL/PWM0
31	TXD	TXD/GPIO21/SPI_SCLK/I2S_FS/I2C_SDA/ADC_RCAL_VOUT/PWM0
32	IO29	GPIO29/SPI_SCLK/I2S_FS/I2C_SDA/PWM0
33	IO28	GPIO28/SPI_SS/I2S_BCLK/I2C_SCL/ADC_CH11/PWM0
34	GND	Grounding
35	ANT	RF
36	GND	Grounding

Note: 1. GPIO2 is used as Bootstrap, when the power-on moment is high, the module enters the burn-in mode; when the power-on moment is low, the module starts normally.

5. Schematic

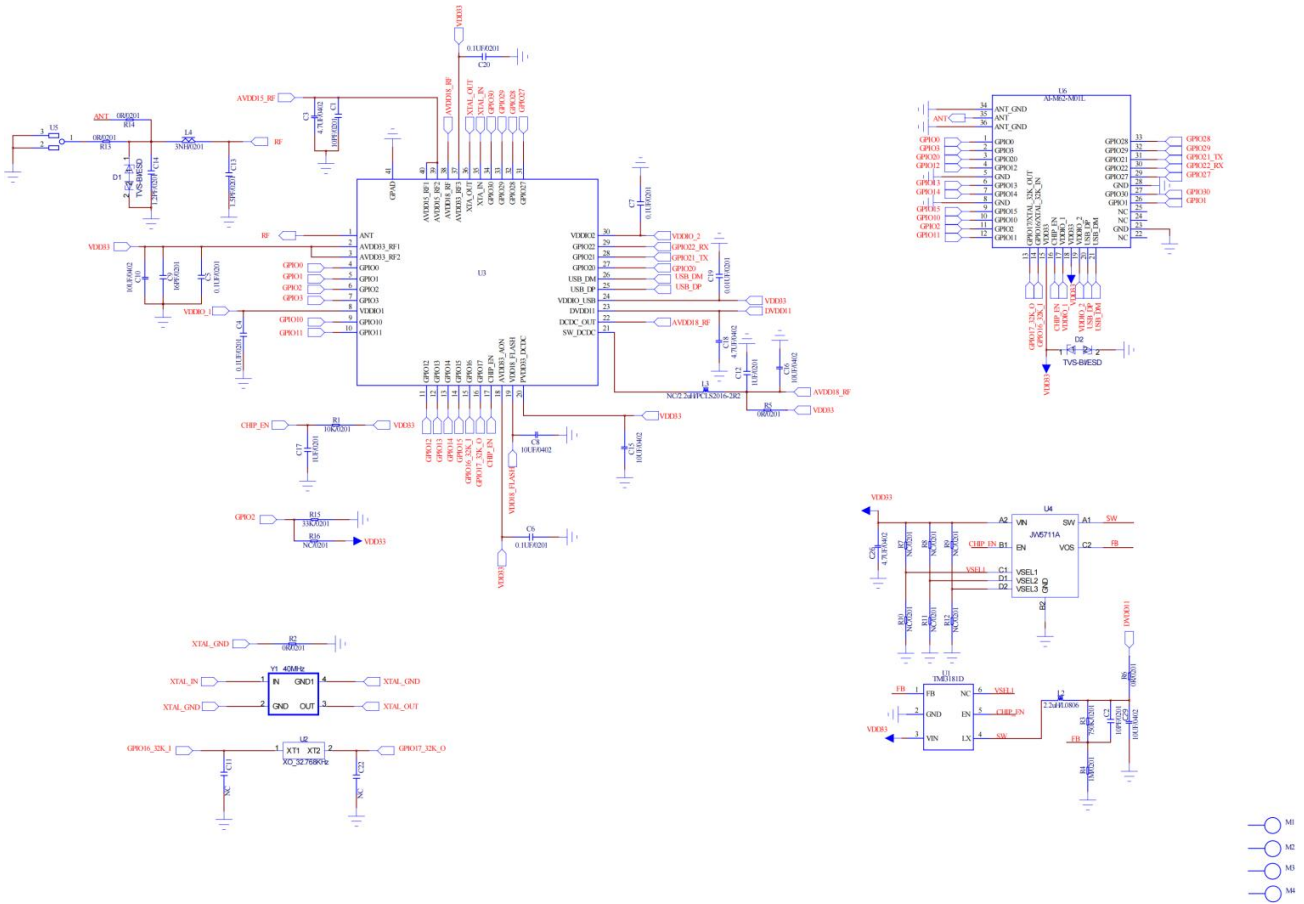


Figure 7 Schematic

6. Design direction

6.1. Application guidance circuit

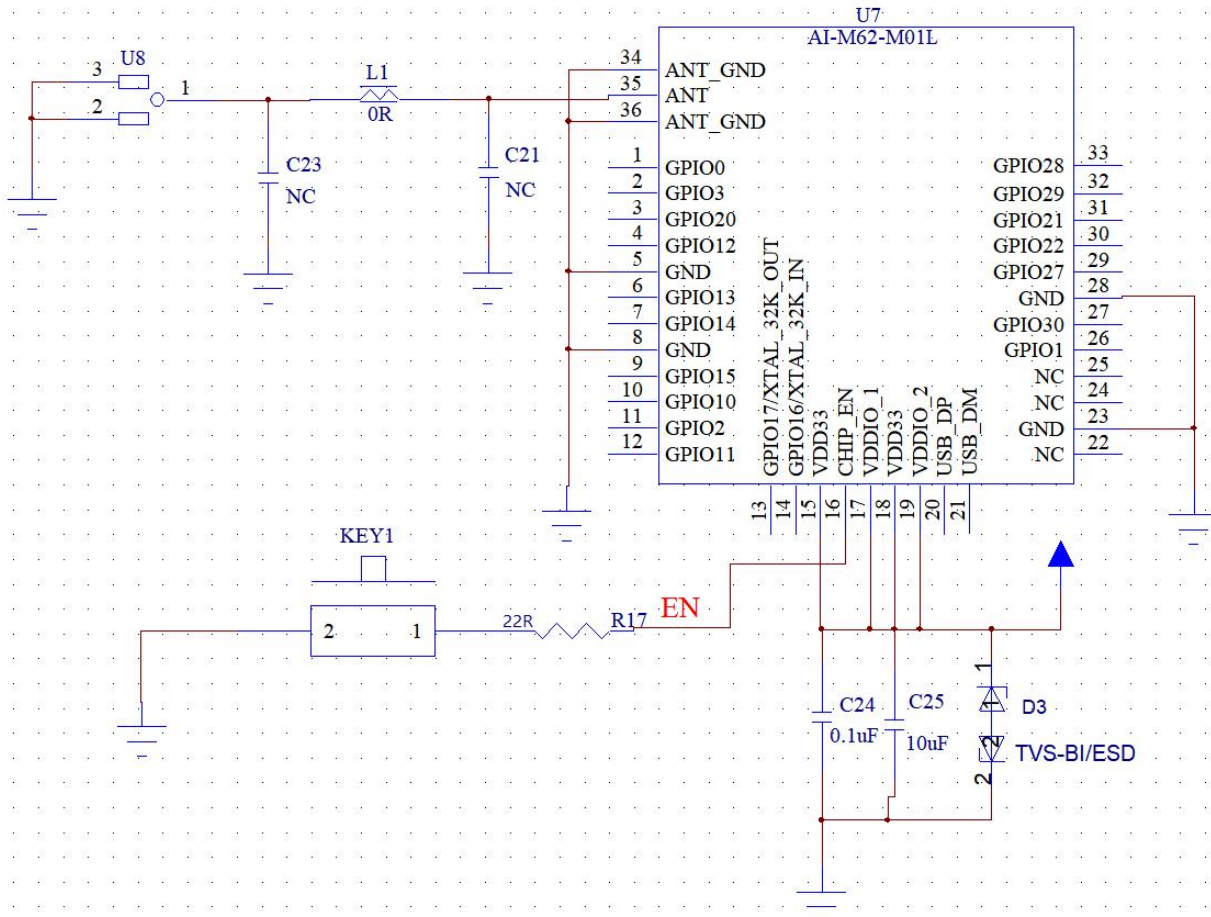


Figure 8 Application Guidance Circuit

- Module PIN15/PIN18 is the main power supply pin, PIN17/PIN19 is the chip GPIO port power supply pin, these four PIN pins must be externally powered to the module.
- IO2 is the module startup control pin, which is in normal operation mode when low and in firmware burning mode when high. The module internal default pull-down processing.
- GPIO16/GPIO17, available by default. These IO ports are shared with the PIN pin of the module's internal 32.768KHz crystal. This IO is not available if the module is customised with an internal SMD 32.768KHz crystal.

6.2. Recommended PCB Package Size

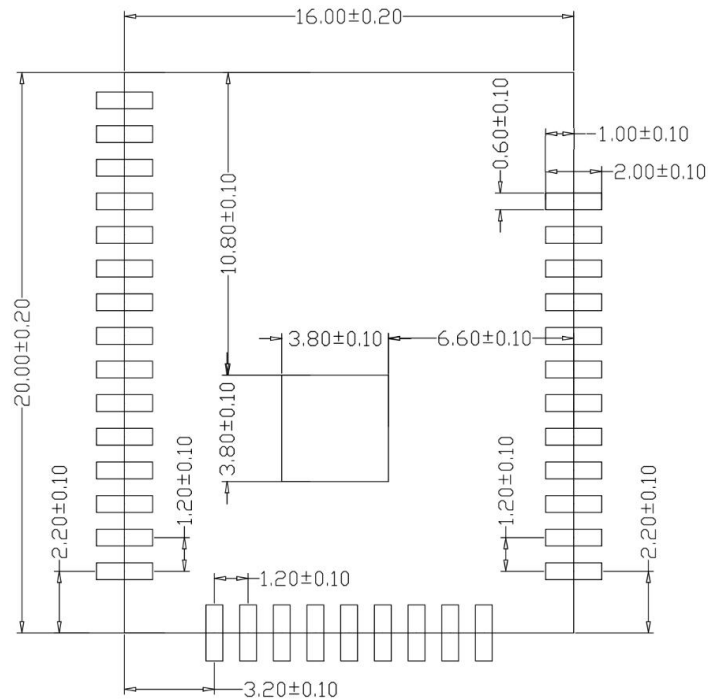


Figure 9 Recommended PCB Package Size

6.3. Electricity supply

- Recommended 3.3V voltage, peak 500mA or more current.
- It is recommended to use LDO power supply; if using DC-DC it is recommended to control the ripple within 30mV.
- The DC-DC power supply circuit is recommended to reserve a place for a dynamic response capacitor, which can optimise the output ripple when the load varies greatly.
- Additional ESD devices are recommended for the 3.3V power interface.

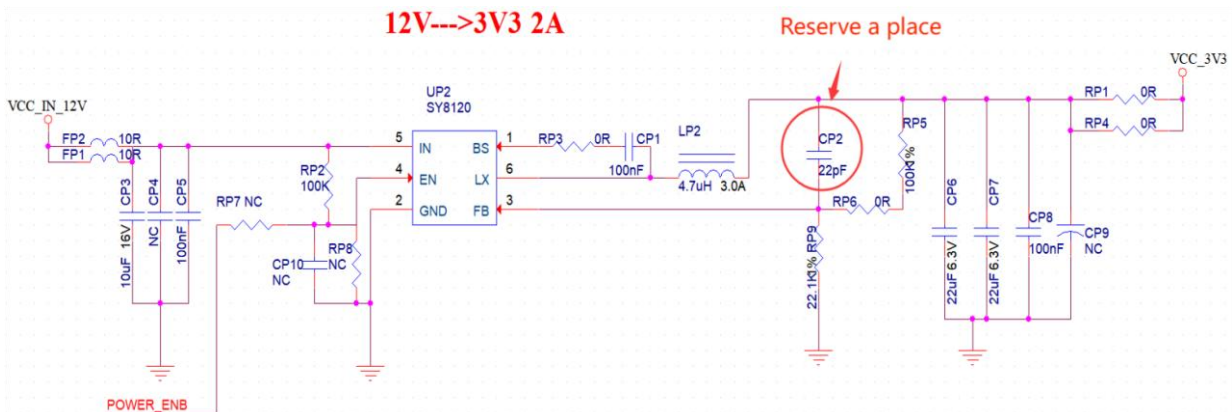


Figure 10 DC-DC Buck Circuit Diagram

6.4. GPIO

- There are some IO ports leading out of the periphery of the module, if you need to use it, it is recommended to connect 10-100 ohm resistors in series on the IO ports. This will suppress overshoot and make the level smoother on both sides. It is helpful for both EMI and ESD.
- The pull-up and pull-down of special IO ports should be referred to the usage instructions in the datasheet, and the start-up configuration of the module will be affected here.
- The IO port of the module is 3.3V. If the IO port levels of the master and the module do not match, you need to add a level conversion circuit.
- If the IO port is directly connected to a peripheral interface, or a terminal such as a row of pins, it is recommended to reserve an ESD device in the IO port alignment near the terminal.

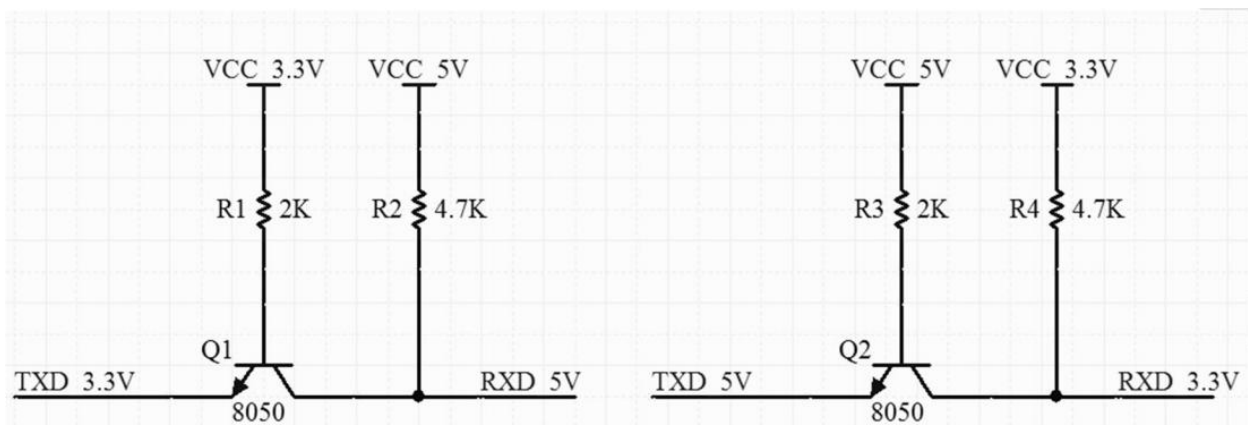


Figure 11 Level Shift Circuit

7. Storage condition

Products sealed in moisture-proof bags should be stored in a non-condensing atmosphere of $<40^{\circ}\text{C}/90\%\text{RH}$.

The moisture sensitivity class MSL of the module is 3.

After the vacuum bag is unpacked, it must be used within 168 hours at $25 \pm 5^{\circ}\text{C}/60\%\text{RH}$, otherwise it will need to be baked before it can be put on line a second time.

8. Reflow soldering curve

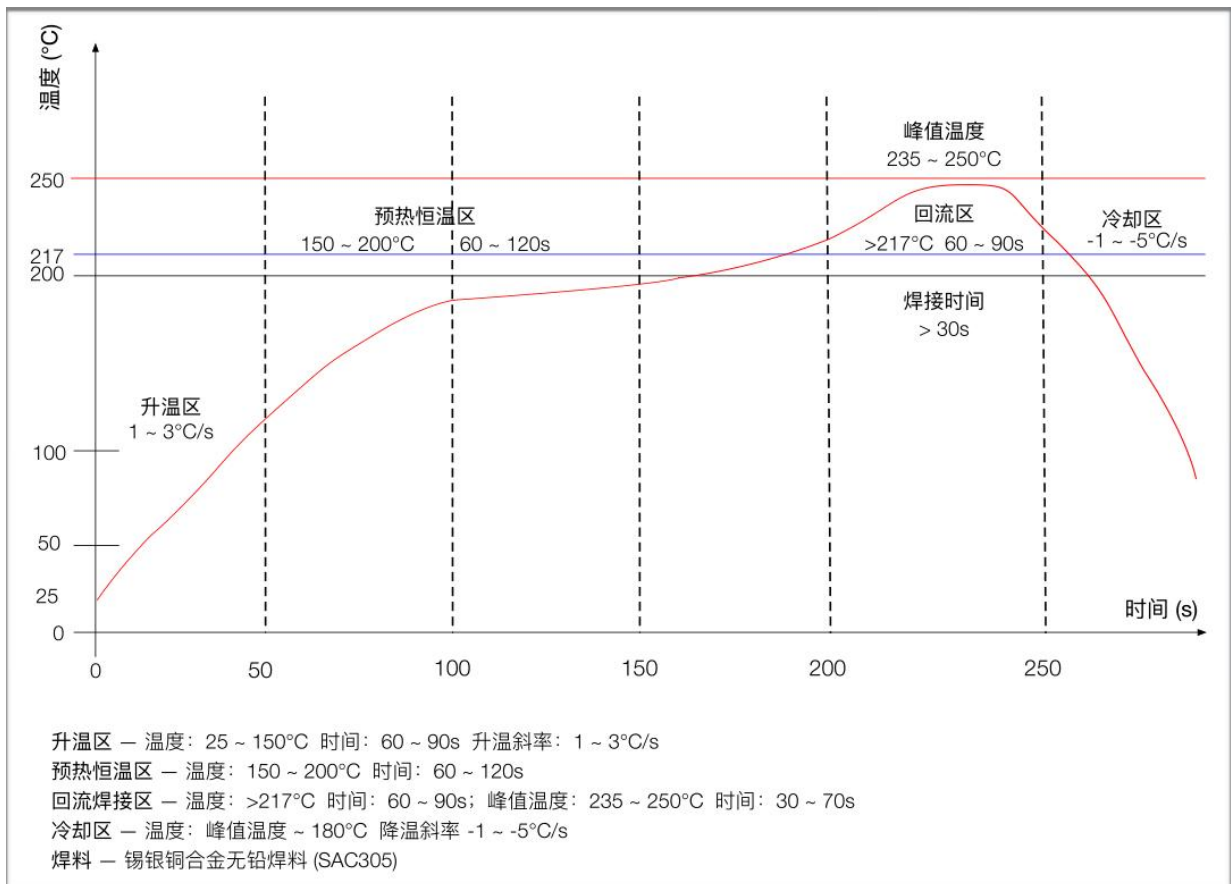


Figure 12 Reflow soldering profile

9. Product packaging information

Ai-M62-M01L module adopts braided packaging. As shown in the following figure:



Figure 13 packing tape drawing

10. Contact us

[Ai-Thinker official website](#)

[Office forum](#)

[Develop DOCS](#)

[LinkedIn](#)

[Tmall shop](#)

[Taobao shop](#)

[Alibaba shop](#)

[Technical support email: support@aithinker.com](mailto:support@aithinker.com)

[Domestic business cooperation: sales@aithinker.com](mailto:sales@aithinker.com)

[Overseas business cooperation: overseas@aithinker.com](mailto:overseas@aithinker.com)

Company Address: Room 403-405,408-410, Block C, Huafeng Smart Innovation Port, Gushu 2nd Road, Xixiang, Baoan District, Shenzhen.

Tel: +86-0755-29162996



WeChat mini program



WeChat official account

Disclaimer and copyright notice

The information in this article, including the URL address for reference, is subject to change without notice.

The document is provided "as is" without any guarantee responsibility, including any guarantee for merchantability, suitability for a specific purpose, or non-infringement, and any guarantee mentioned elsewhere in any proposal, specification or sample. This document does not bear any responsibility, including the responsibility for infringement of any patent rights arising from the use of the information in this document. This document does not grant any license for the use of intellectual property rights in estoppel or other ways, whether express or implied.

The test data obtained in the article are all obtained from Ai-Thinker's laboratory tests, and the actual results may vary slightly.

All brand names, trademarks and registered trademarks mentioned in this article are the property of their respective owners, and it is hereby declared.

The final interpretation right belongs to Shenzhen Ai-Thinker Technology Co., Ltd.

Notice

Due to product version upgrades or other reasons, the contents of this manual may be changed. Shenzhen Ai-Thinker Technology Co., Ltd. reserves the right to modify the contents of this manual without any notice or prompt.

This manual is only used as a guide. Shenzhen Ai-Thinker Technology Co., Ltd. makes every effort to provide accurate information in this manual. However, Shenzhen Ai-Thinker Technology Co., Ltd. does not guarantee that the contents of the manual are completely free of errors. All statements and information in this manual And the suggestion does not constitute any express or implied guarantee.

Statement

Ai-Thinker may provide technical and reliability data (including datasheets), design resources (including reference designs), application or other design recommendations, network tools, safety information and other resources (the "Resources") "as is" without warranties of any kind, express or implied. Including, but not limited to, express or implied warranties of suitability, fitness for a particular use, or non-infringement of any third party's intellectual property rights. And specifically declares that it is not liable for any necessary or incidental losses, including but not limited to, arising from the application or the use of any of our products and circuits.

Ai-Thinker reserves the right to release information in this document (including but not limited to metrics and product descriptions) and any changes to our products without prior notice. This document automatically supersedes and replaces all information provided in previous versions of the same document number file. These resources are available to skilled developers who design with Ai-Thinker products. You are solely responsible for: (1) Selecting the appropriate Ai-Thinker products for your application; (2) Design, validate, and run your application and product throughout its life cycle; (3) Ensure that your application meets all applicable standards, codes and laws, as well as any other functional security, information security, regulatory or other requirements.

Ai-Thinker may authorize you to use these resources only for the development of applications of Essence Products described in this Resource. Without the permission of Ai-Thinker, any unit for individual shall not extract or copy part or all of these resources, and shall not be transmitted in any form. You are not entitled to use any other Ai-Thinker intellectual property rights or any third party intellectual property rights. You shall indemnify you in full for any claims, damages, costs, losses and liabilities arising against Ai-Thinker or its representatives in connection with the use of these resources, for which Ai-Thinker is not liable.

The products offered by Ai-Thinker are subject to the terms of sale of Ai-Thinker or other applicable terms attached to Essence's products. Essence's availability of these resources does not extend or otherwise change the warranties or warranties disclaimers applicable to product releases.