

6

5

4

3

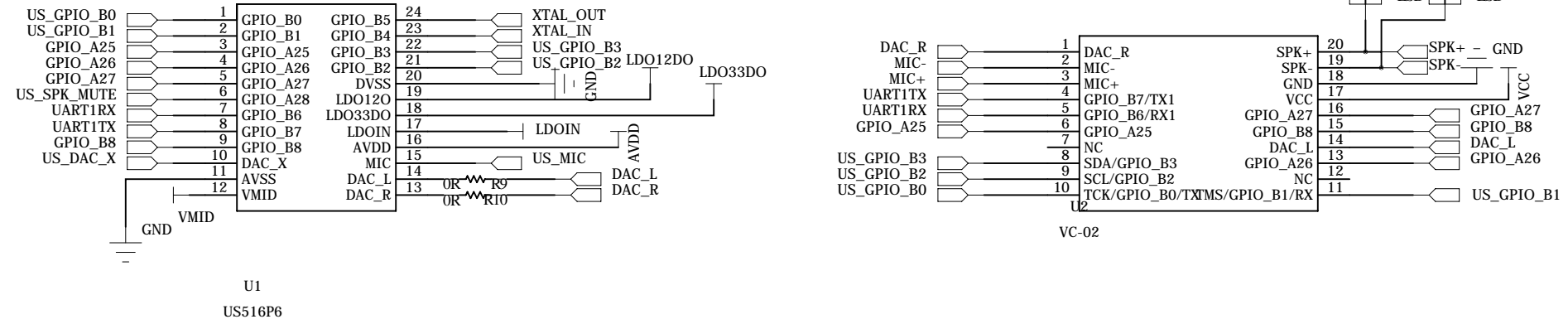
2

1

REVISION RECORD			
LTR	ECO NO:	APPROVED:	DATE:

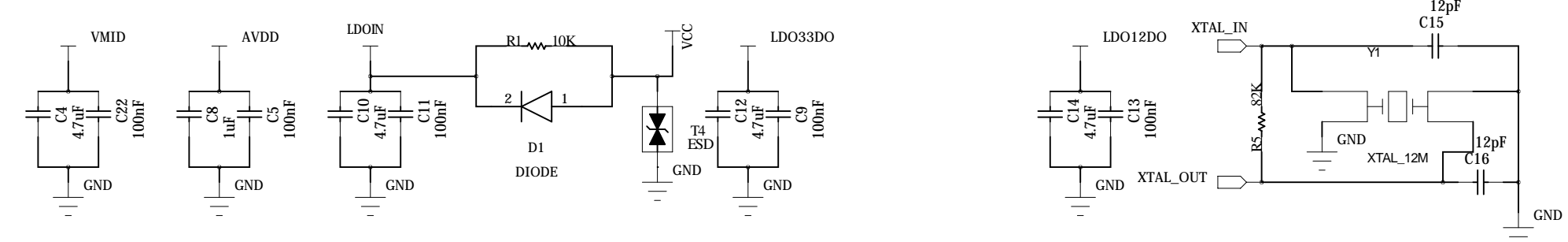
D

D



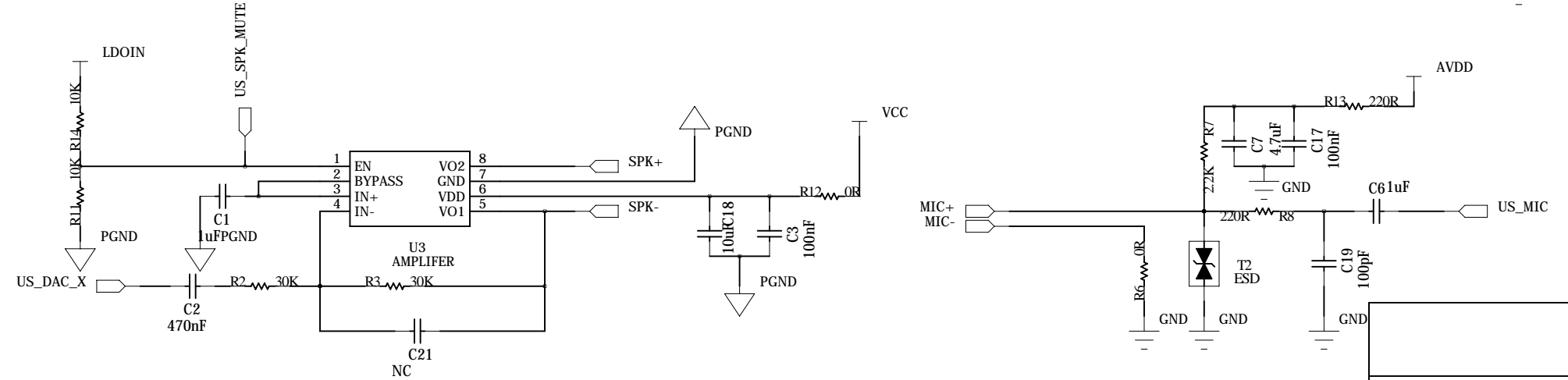
C

C



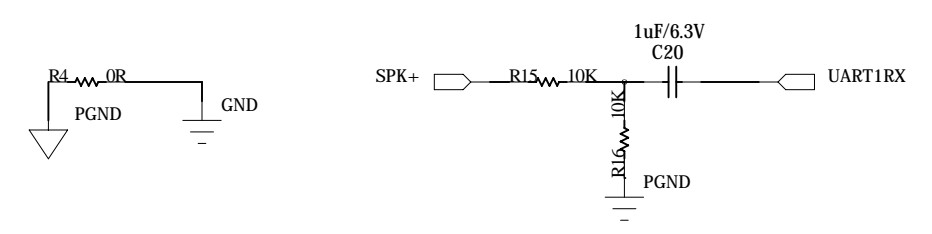
B

B



A

A



DRAWN:	<Drawn By>
CHECKED:	<Checked By>
QUALITY CONTROL:	<QC By>
RELEASED:	<Released By>

TITLE:			
VC-02			
name		REV:	
Ñî ¼Í òµ		V1.0	
			2021.12.20