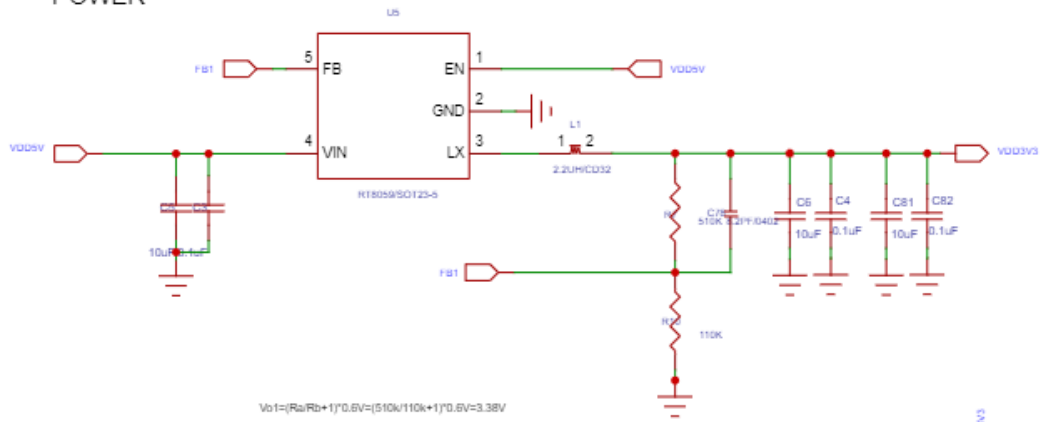
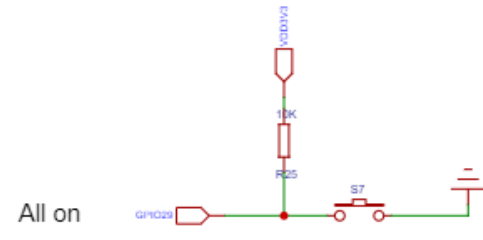
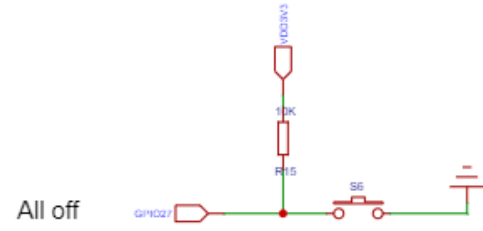
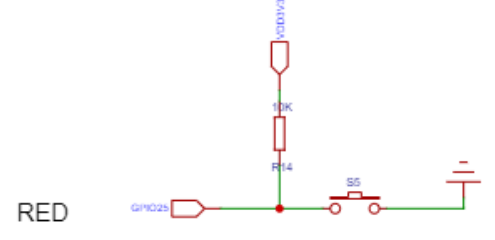
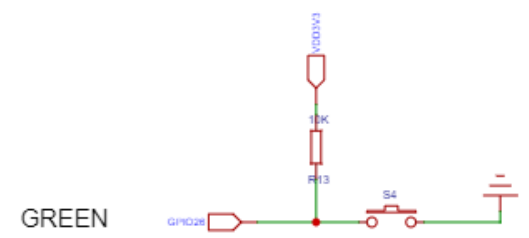
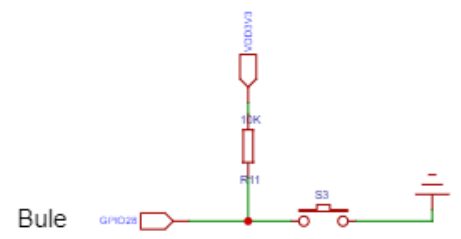
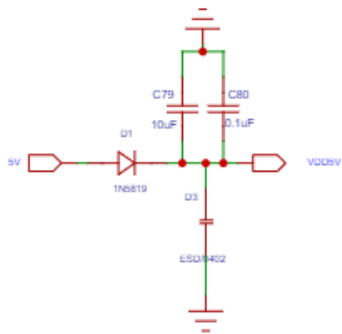


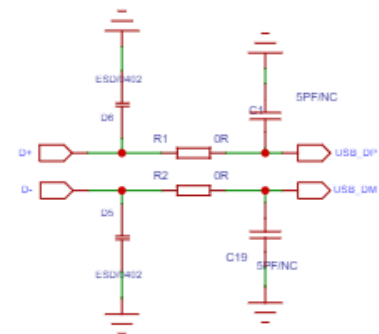
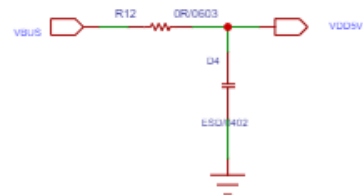
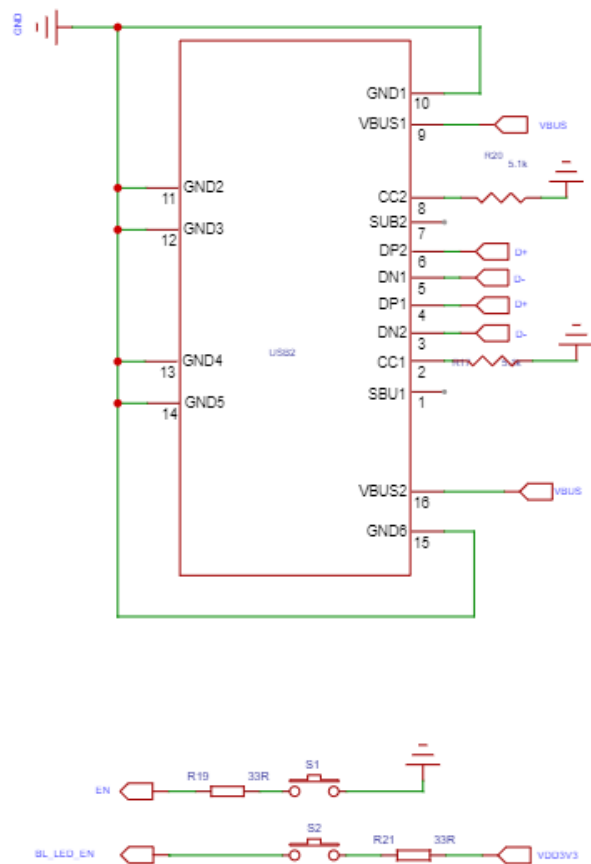
POWER



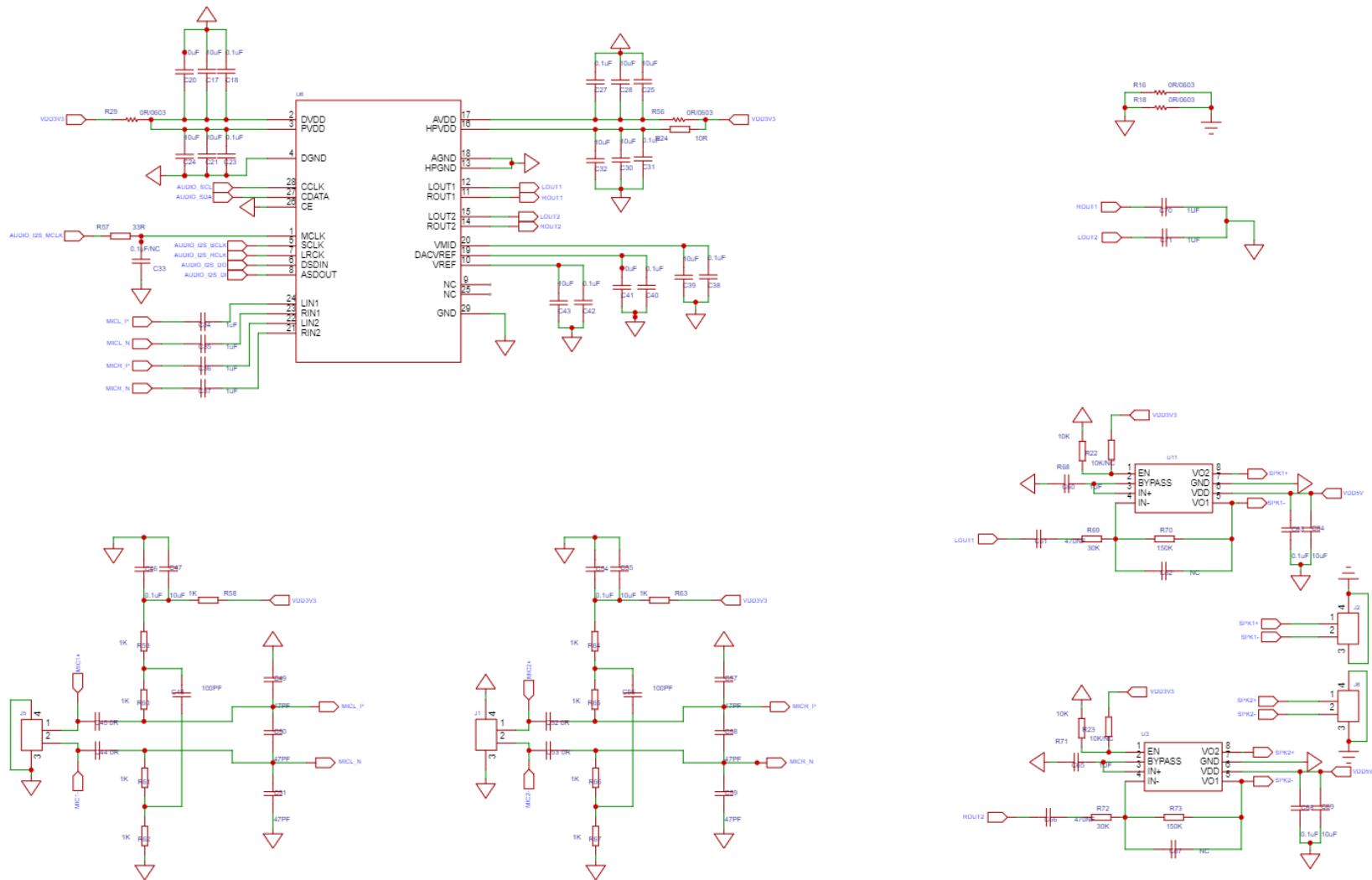
$$V_o = \left(\frac{R_a}{R_b} + 1\right) \cdot V_{ref} = \left(\frac{510k}{110k} + 1\right) \cdot 0.6V = 3.38V$$



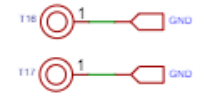
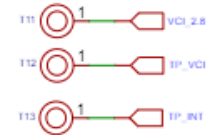
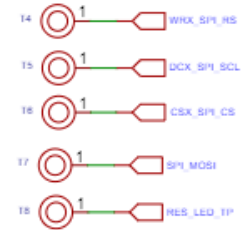
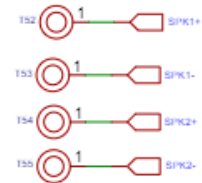
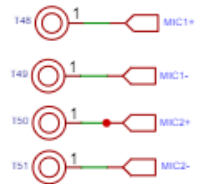
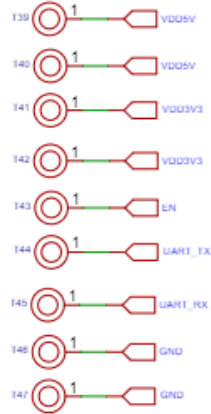
Schematic	_AiPi-SCP-2.4		Update Date	2023-07-18				
			Create Date	2023-07-17				
Page	POWER		Part Number					
Drawn	AiPi-SCP-2.4							
Reviewed								
			VER	SIZE	PAGE	2	OF	5
嘉立创EDA			V1.0	A4	嘉立创EDA			



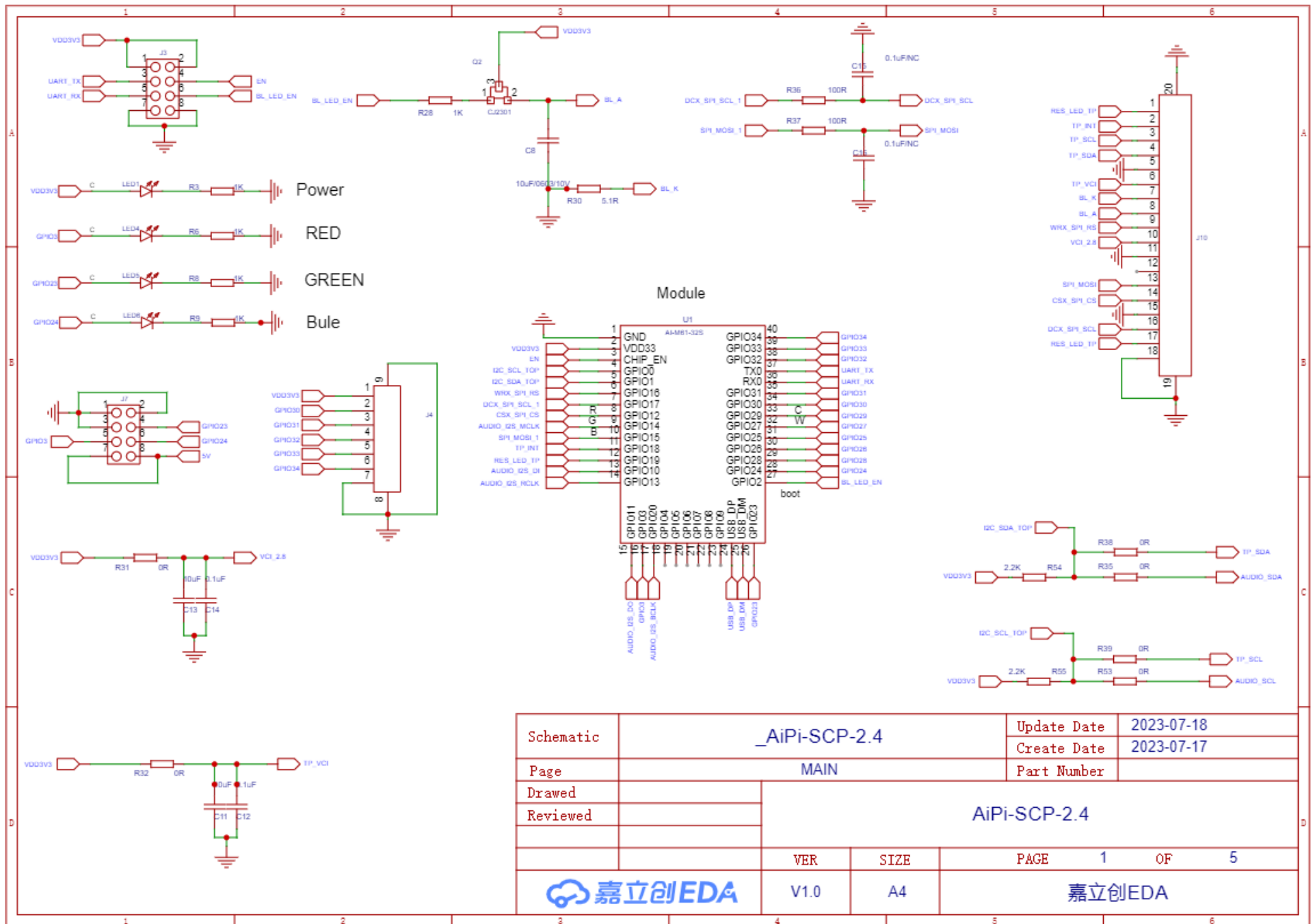
Schematic	_AiPi-SCP-2.4		Update Date	2023-07-18
			Create Date	2023-07-17
Page	USB		Part Number	
Drawn	AiPi-SCP-2.4			
Reviewed				
	VER	SIZE	PAGE	3 OF 5
嘉立创EDA		V1.0	A4	嘉立创EDA



Schematic	_AIPI-SCP-2.4	Update Date	2023-07-18
Page	AUDIO	Create Date	2023-07-17
Drawn		Part Number	
Reviewed		AIPI-SCP-2.4	
	VER	SIZE	PAGE 4 OF 5
	V1.0	A3	嘉立创EDA



Schematic	_AiPi-SCP-2.4			Update Date	2023-07-17
				Create Date	2023-07-17
Page	TEST-POINT			Part Number	
Drawn	AiPi-SCP-2.4				
Reviewed					
		VER	SIZE	PAGE	5 OF 5
嘉立创EDA		V1.0	A4	嘉立创EDA	



Schematic	_AiPi-SCP-2.4	Update Date	2023-07-18				
		Create Date	2023-07-17				
Page	MAIN	Part Number					
Drawn	AiPi-SCP-2.4						
Reviewed							
		VER	SIZE	PAGE	1	OF	5
嘉立创EDA		V1.0	A4	嘉立创EDA			