

6

5

4

3

2

1

D

D

C

C

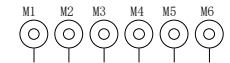
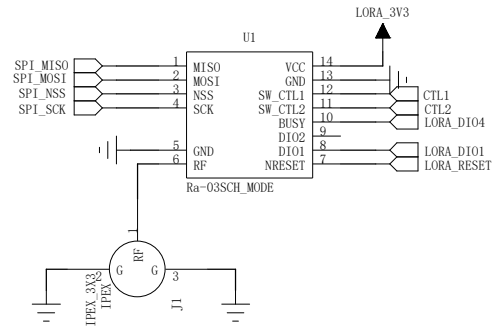
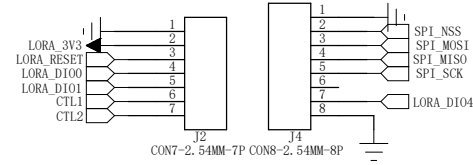
B

B

A

A

REVISION RECORD			
LTR	ECO NO:	APPROVED:	DATE:



COMPANY:			
TITLE: Ra-03转接板			
CODE:	SIZE: B	DRAWING NO:	REV: 1.0
SCALE:			SHEET: 1 OF 1

DRAWN:	DATED:
CHECKED:	DATED:
QUALITY CONTROL:	DATED:
RELEASED:	DATED: